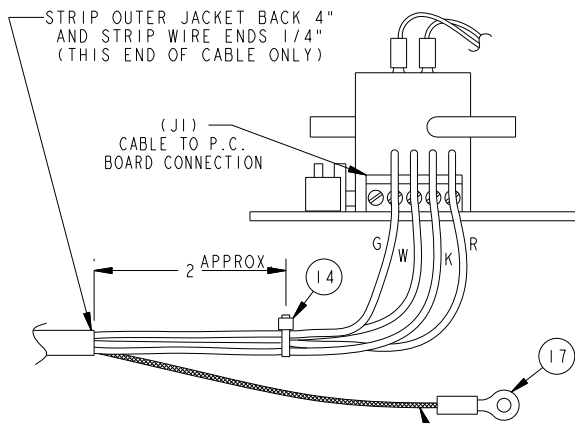
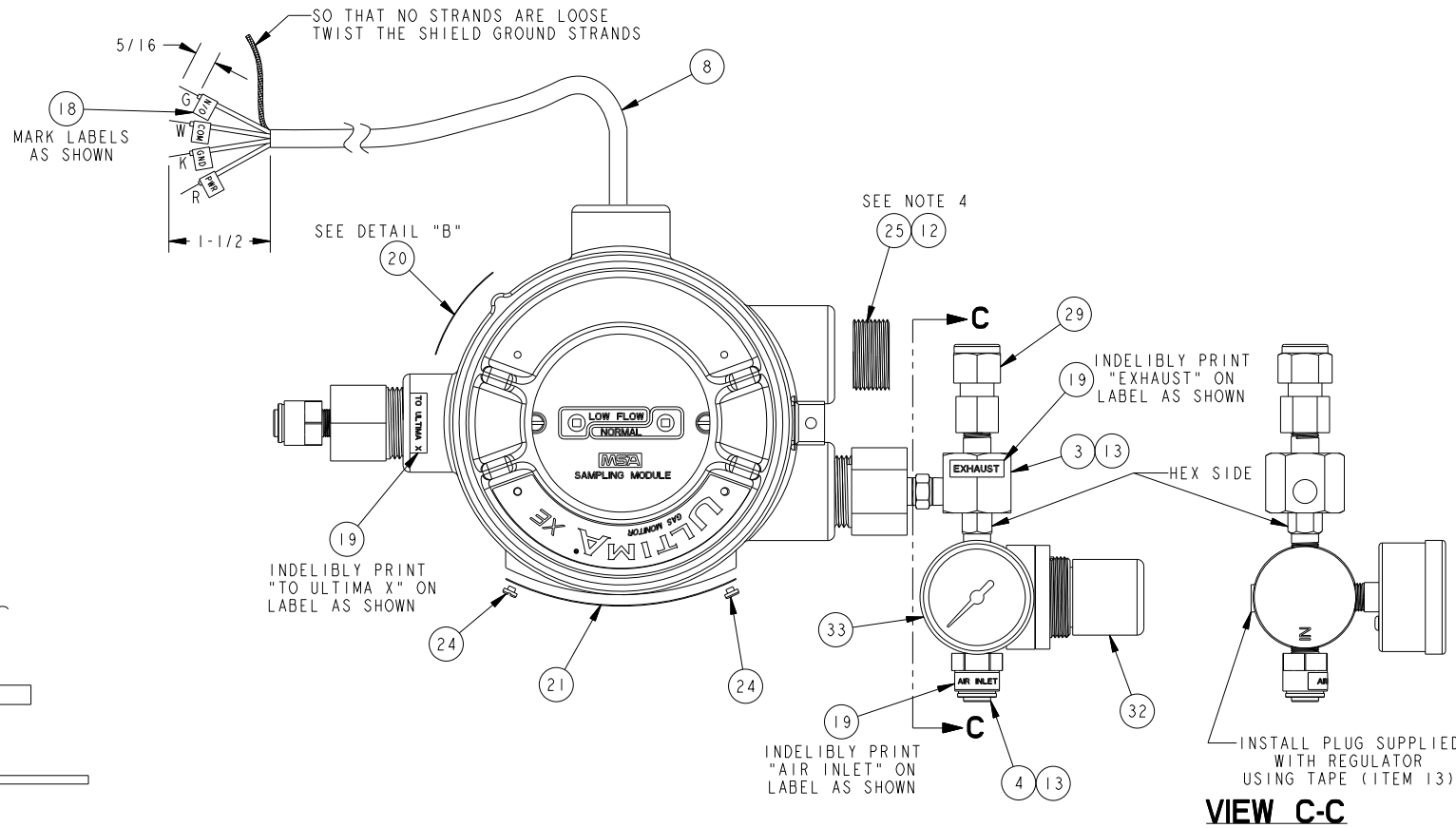


REF. 20

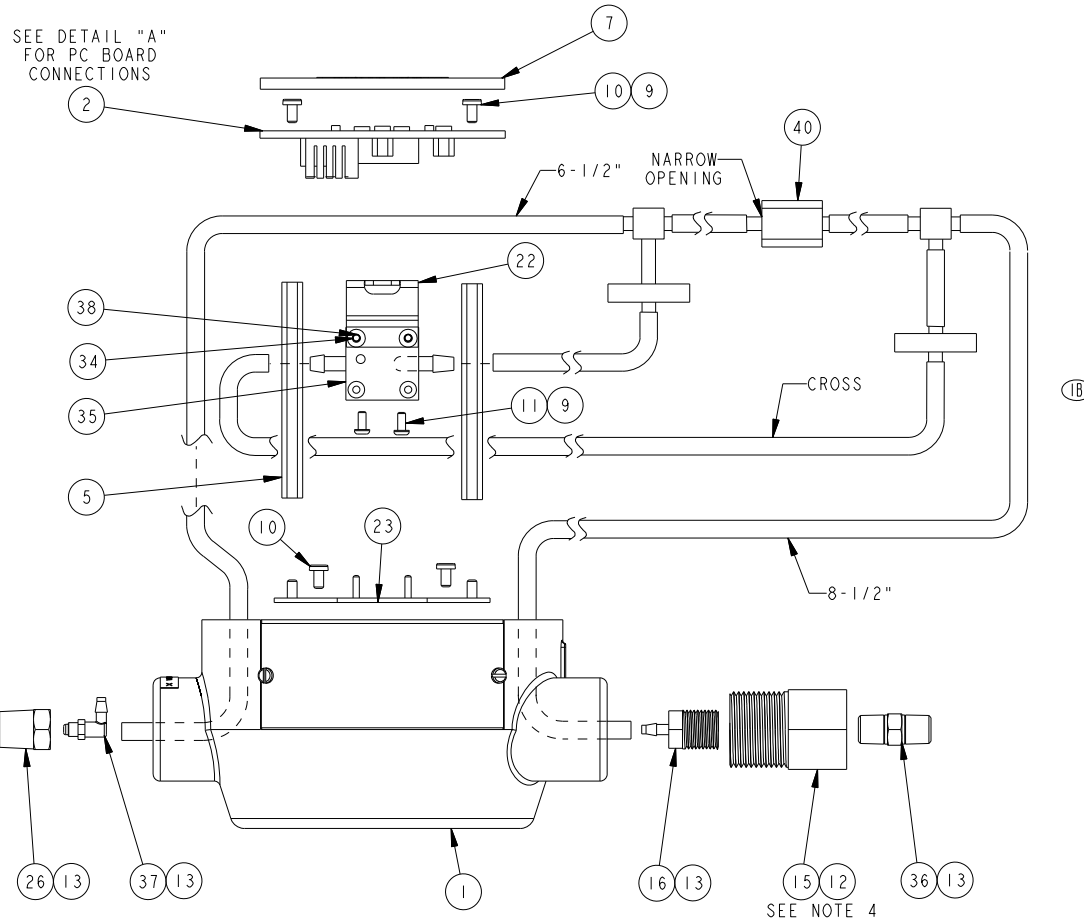
MSA PART NO. 10058101
ULTIMA X SAMPLING MODULE ASSEMBLY
ASPIRATOR PUMPED VERSION
EXPLOSION PROOF

DETAIL "B"
 (SCALE: 2.00)
 INDELIBLY PRINT INFORMATION AS SHOWN



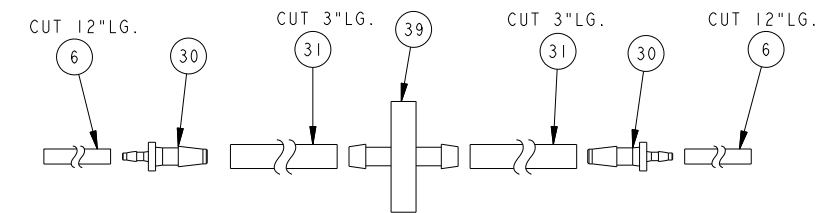
TWIST THE SHIELD GROUND STRANDS FROM CABLE (ITEM 8) THEN ATTACH TO THE TERMINAL (ITEM 17). SECURE TERMINAL TO ENCLOSURE USING EXISTING GROUND SCREW

DETAIL "A"
 (PUMP AND CABLE WIRING)



VIEW C-C

PARTS LIST			
ITEM NO.	MATERIAL MASTER NO.	QTY. REQD.	DESCRIPTION
1	10045237	1	ENCLOSURE ASSEMBLY, ULTIMA XE
2	10052349	1	P.C. BOARD ASSEMBLY
3	631716	1	PUMP, VACCUM
4	633740	2	CONNECTOR, MALE, 1/8 NPT TO 1/4 O.D. TUBE
5	10034278	2	STANDOFF, #6-32 X 3" LG.
6	600771	24in.	TUBING, POLYURETHANE, 1/4" O.D.
7	10051804	1	LABEL, SAMPLING MODULE, ULTIMA
8	600341	24in.	CABLE, 4 CONDUCTOR
9	29787	-	SEALANT, LOCTITE 222
10	67053	6	SCREW, MACHINE, SLOTTED PAN HEAD, #6-32 X 1/4" LG
11	627601	2	SCREW, MACHINE, #4-40 X 1/4
12	602873	-	LUBRICANT THREAD
13	28907	-	TAPE TEFLON, PIPE THREAD SEALING, 1/4"
14	69501	1	WIRE TIE, NYLON, WHITE, 3-7/8 X 3/32
15	813159	2	FLASHBACK ARRESTOR ASSEMBLY ULTIMA SENSOR
16	10018616	1	FITTING, 1/8 I.D. BARBED TO 1/4 NPT, NYLON
17	58287	1	TERMINAL, RING TYPE
18	633528	4	LABEL, BLANK
19	633579	3	LABEL, (.90" X .250")
20	482522	1	LABEL, BLANK, (1-1/2" X 3/4")
21	10062539	1	LABEL, APPROVALS, DOMESTIC
22	10050380	1	BRACKET, ALUMINUM, ULTIMA PUMP SWITCH
23	10043265	1	PLATE, MOUNTING, PUMP, ULTIMA XE
24	65519	2	SCREW, #4-40 X 1/8" LG.
25	638179	1	PLUG, PIPE, 3/4 NPT, RECESSED HEAD
26	638084	1	REDUCER, 1/4-18NPT EXT. TO #10-32 INT.
27	637920	1	FILTER, END-OF-LINE
28	10039479	1	CARTON, ULTIMA X
29	62813	1	CONNECTOR, FEMALE, 3/8" O.D. TUBE TO 1/8" NPT
30	655075	2	CONNECTOR, TUBING, REDUCER
31	604067	6in.	TUBING, POLYURETHANE, NALGE
32	636411	1	REGULATOR, 1-50 PSIG RANGE
33	638395	1	GAUGE
34	10049442	2	SCREW, MACHINE, CROSS RECESSED, #2-56 X 5/8
35	10050076	1	SWITCH, PRESSURE
36	68981	1	NIPPLE
37	631330	1	FITTING, ELBOW, #10-32 TO 1/8" I.D. TUBE
38	633747	2	WASHER, FLAT, NYLON #2 SCREW
39	10051406	1	FILTER, IN-LINE, WATER BARRIER, 1 MICRON
40	10050865	1	TUBING ASSEMBLY: ULTIMA SAMPLING MODULE
41	10103803	1	MANUAL: INSTRCTN, ASPIR SMPLING MDLE, ULT X



DETAIL "D"
 (SEE NOTE 2)

NOTES:

1. TEST PER ENGINEERING SPECIFICATION #1209.
2. PACK THE PRE-ASSEMBLED IN-LINE FILTER ASSEMBLY (ITEMS 6, 30, 31 & 39) ALONG WITH END-OF-LINE FILTER (ITEM 27) WITH THE MODULE ASSEMBLY.
3. REMOVE THE "MET" LABEL FROM THE ENCLOSURE ASSEMBLY (ITEM 1).
4. MINIMUM 5 FULL THREADS ENGAGEMENT.
5. REFERENCE INSTALLATION OUTLINE DRAWING 10000015617

REVISIONS	
①	10-30-2009 INITIAL RELEASE A. 600771 was 30in REQ'D B. UPDATED TUBE LENGTH CALL-OUTS ON DRAWING GJT ST
②	11-30-2009 INITIAL RELEASE UPDATED ITEM BALLOON CALL-OUTS ON DRAWING GJT ST
DEC 15 2009	

AUTHORIZED COUNTRY	MSA MINE SAFETY APPLIANCES CO. PITTSBURGH, PA 15230, USA	THIS DRAWING IS THE PROPERTY OF MSA AND IS MADE AVAILABLE TO YOU IN CONFIDENCE AND SUBJECT TO THE FOLLOWING: NO PERMISSION IS GRANTED TO PUBLISH, USE, REPRODUCE, TRANSMIT OR DISCLOSE THIS DRAWING, OR ANY INFORMATION CONTAINED THEREIN TO OTHERS WITHOUT THE PRIOR WRITTEN CONSENT OF MSA EXCEPT FOR THE MANUFACTURE OF ARTICLES FOR MSA. SCHUTZMERK NACH DIN 34 BEACHTEN. MSA AUER GmbH.	DO NOT SCALE DWG.
	MSA STANDARD SHOP PRACTICES APPLY	APPROVAL AGENCY CODE: NO NIOSH ATTR. DOC.:	
	CODE SYMBOLS	JOB NO. 30005163 PH0730	
	CRITICAL Δ	DRAWN BY DATE	
	MAJOR A Δ	GJT 6-17-2009	
	MAJOR B Δ	CHECKED BY	
	100% INSPECTION Δ	J. DiLEO 12-15-09	
	TOLERANCES UNLESS OTHERWISE SPECIFIED	PROJ. ENGR.	
	FRACTIONAL ± 1/64	S. TURNER 12-2-09	
	2 PL DEC. ± 0.01	QUALITY ASSURANCE	
	3 PL DEC. ± 0.005	J. DANNHARDT 12-14-09	
	ANGULAR ± 1 deg.	MANUFACTURING	
	SEE MSA STANDARD SHOP PRACTICES FOR DRILLED HOLE TOLERANCES	D. BRUNI 12-2-09	
		CADD REF: 10058101	SCALE: 0.750
		D.	10058101
			SHEET 1 OF 1

LIFECYCLE STATE	REVISION
Production	2