

Gas Masks

PARTS LIST

using Ultravue[®] or Ultra Elite[®] Facepiece Parts List



For More Information, call 1-800-MSA-2222 or Visit Our Website at www.MSAnet.com



MINE SAFETY APPLIANCES COMPANY
PITTSBURGH, PENNSYLVANIA, U.S.A. 15230

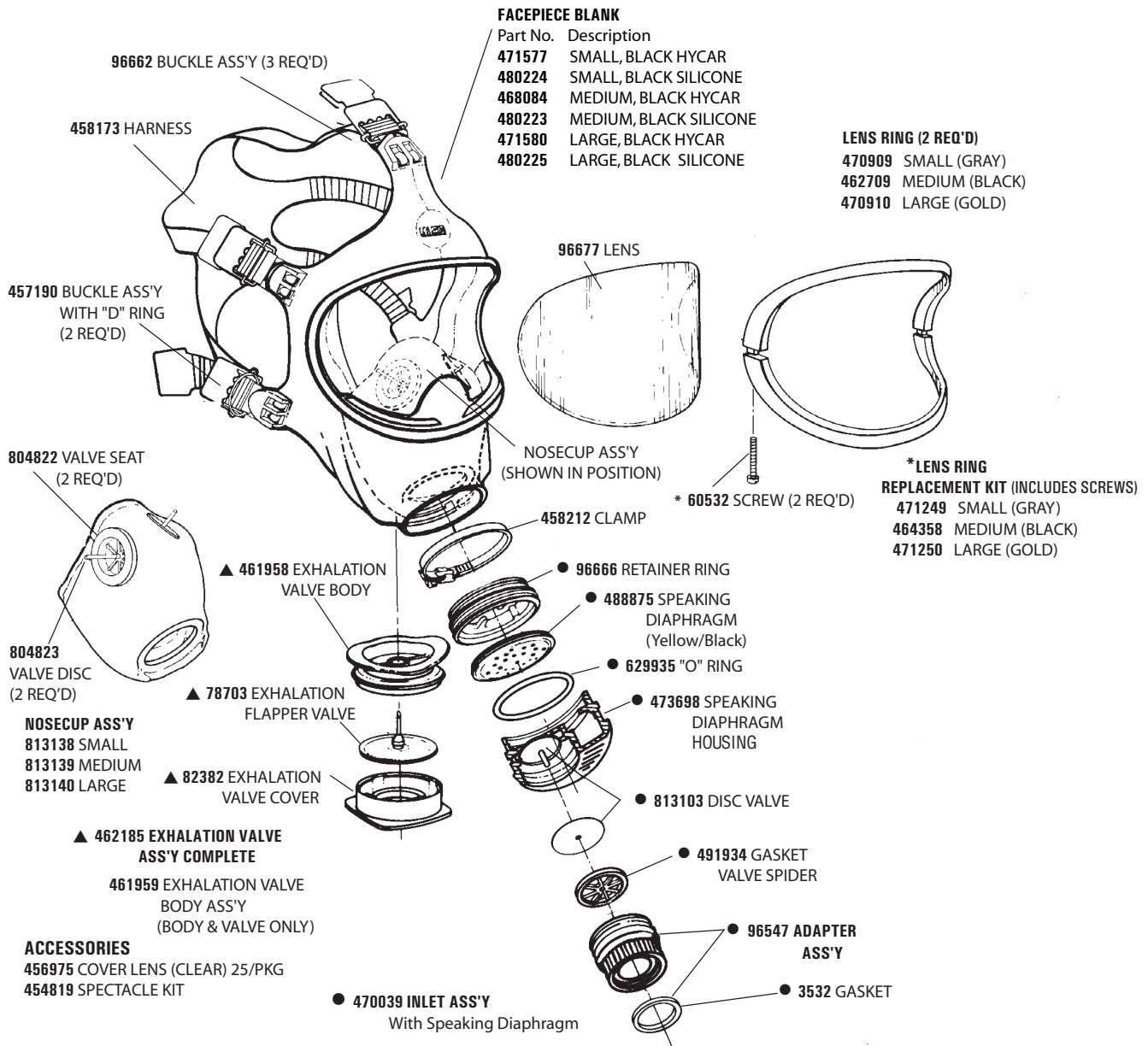
Ultravue® Demand Facepiece

U.S. Patent Numbers 3,323,135 and 3,348,537

Facepiece Assemblies

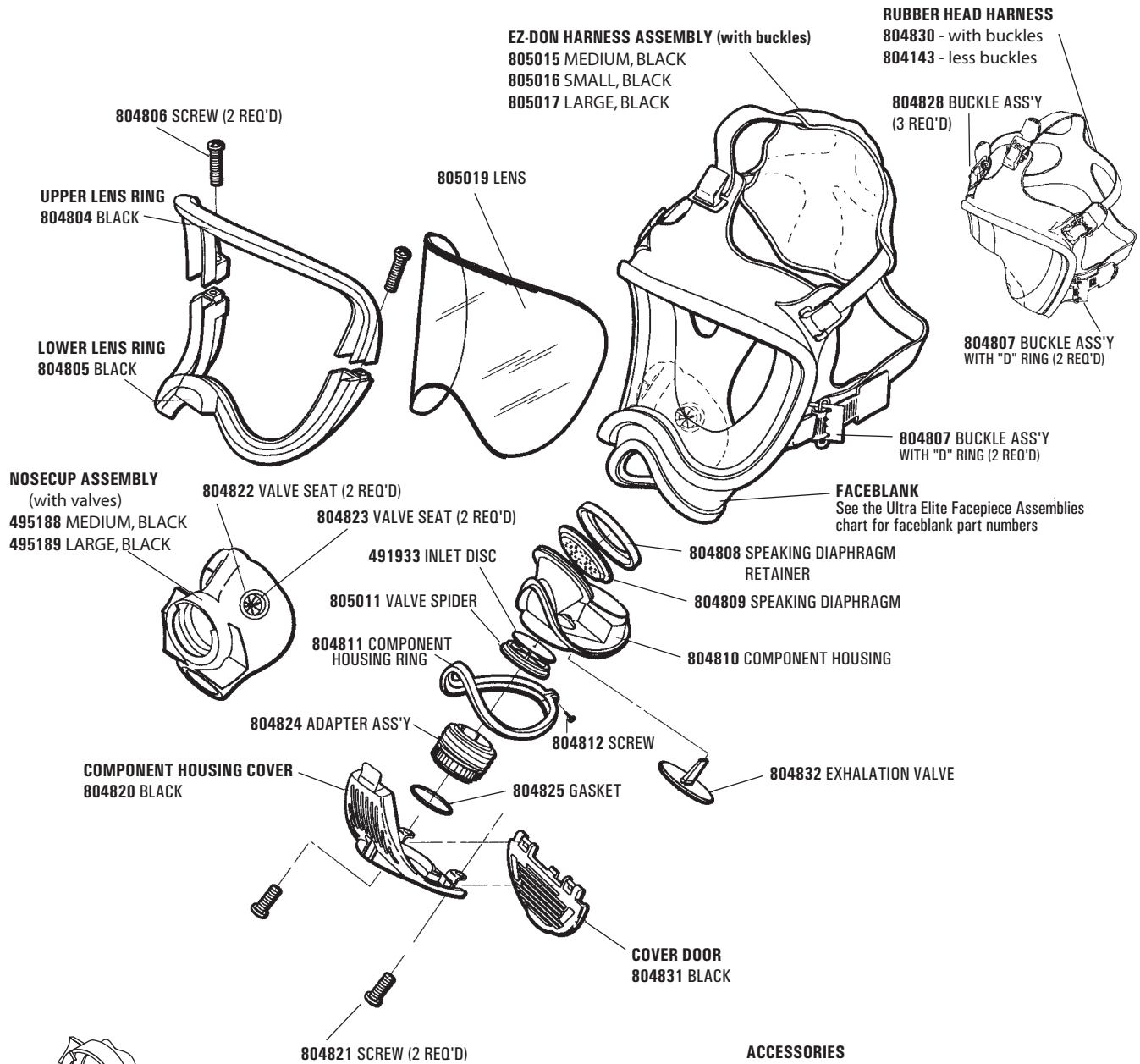
SMALL - MODEL 7-203-2			MEDIUM - MODEL 7-203-1			LARGE - MODEL 7-203-3					
PART NUMBER	RUBBER		NOSECUP	PART NUMBER	RUBBER		NOSECUP	PART NUMBER	RUBBER		NOSECUP
	Black Hycar	Black Silicone			With	Black Hycar			Black Silicone	With	
471218	●		●	457126	●		●	471230	●		●
480251		●	●	480247		●	●	480255		●	●

Facepiece Components



Ultra Elite® Demand Facepiece

Facepiece Components



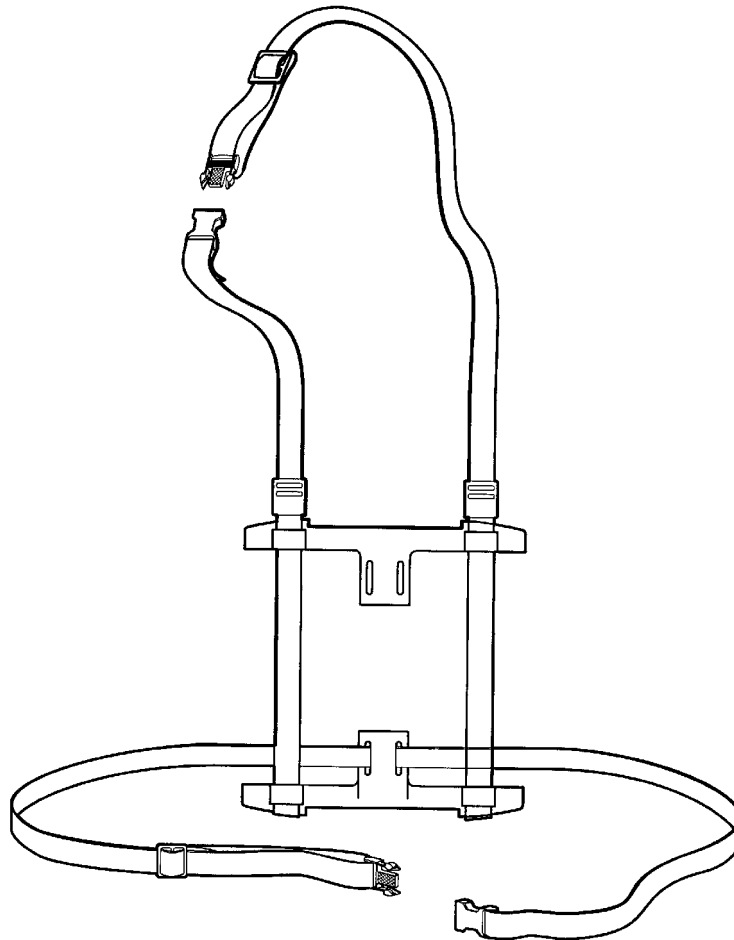
Ultra Elite[®]

Facepiece Assemblies

SIZE	ASSEMBLY	FACEBLANK ELASTOMER		NOSECUP	HARNESS		FACEBLANK
	PART NUMBER	BLACK HYCAR	BLACK SILICONE		BLACK RUBBER	BLACK EZ-DON	PART NUMBER
SMALL Model 7-934-2	493064	●		●	●		495230
	491146	●		●		●	495230
	493072		●	●	●		495237
	491505		●	●		●	495237
MEDIUM Model 7-934-1	493020	●		●	●		495227
	491145	●		●		●	495227
	493028		●	●	●		495236
	491502		●	●		●	495236
LARGE Model 7-934-3	493108	●		●	●		495233
	491147	●		●		●	495233
	493116		●	●	●		495238
	491508		●	●		●	495238

Harness

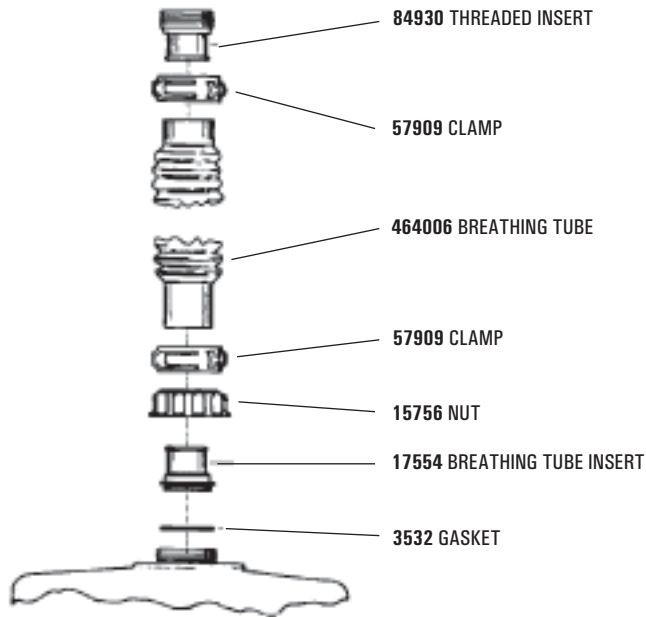
Part number 84937



Breathing Tubes

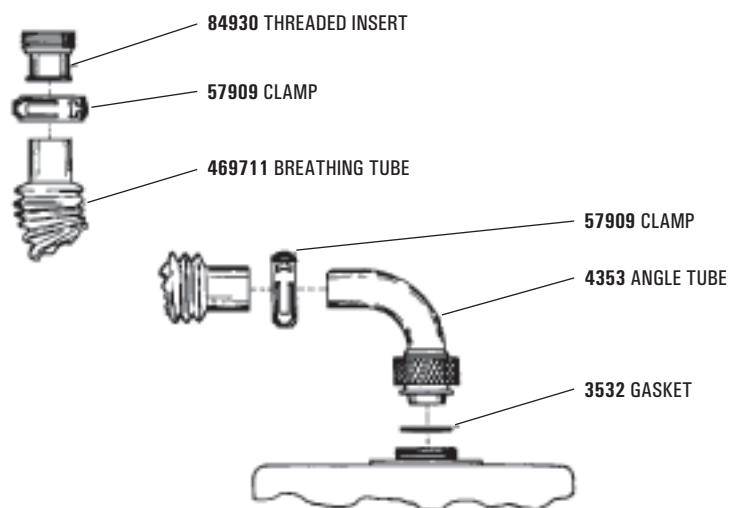
Front Mounted

* **88306**, BREATHING TUBE ASSEMBLY,
10", USED FOR MSA INDUSTRIAL
AND SUPERSIZE CANISTERS



Back Mounted

* **457175** BREATHING TUBE ASSEMBLY, TYPE C, 28"
This assembly used for MSA Type "C" Back Mounted Canisters



Carrying Cases

All Gas Mask Carrying Cases with the instruction label include the approval sheet, manual, and parts list.

The instruction label is attached to the inside of the case with adhesive. Only the cases less label come less the NIOSH approval sheet, manual, and parts list.

Part Number	Description
Super Size Cases	
816221	Carrying Case w/GMHS-SSW-N95 label
816223	Carrying Case w/N-P100 MDL HW label
816224	Carrying Case w/GMEO-SSW-N95 label
*461419	Case less label, approval sheet, manual, and parts list
Industrial Size Cases	
816216	Carrying Case w/GMD-N95 label
816217	Carrying Case w/GMA-N95 label
816372	Carrying Case w/GML-N95 label
*461419	Case less label, approval sheet, manual, and parts list
Chin-Type Size Cases	
10075204	Carrying Case w/PH/AM/CL/P100 label
10075205	Carrying Case w/HF/P100 label
10075206	Carrying Case w/FM/AG/CD/HS/P100 label
10075207	Carrying Case w/OV/P100 label

**Use the same case less label for Super and Industrial Size Gas Masks*



For More Information, call 1-800-MSA-2222 or Visit Our Website at www.MSAnet.com



MINE SAFETY APPLIANCES COMPANY
PITTSBURGH, PENNSYLVANIA, U.S.A. 15230