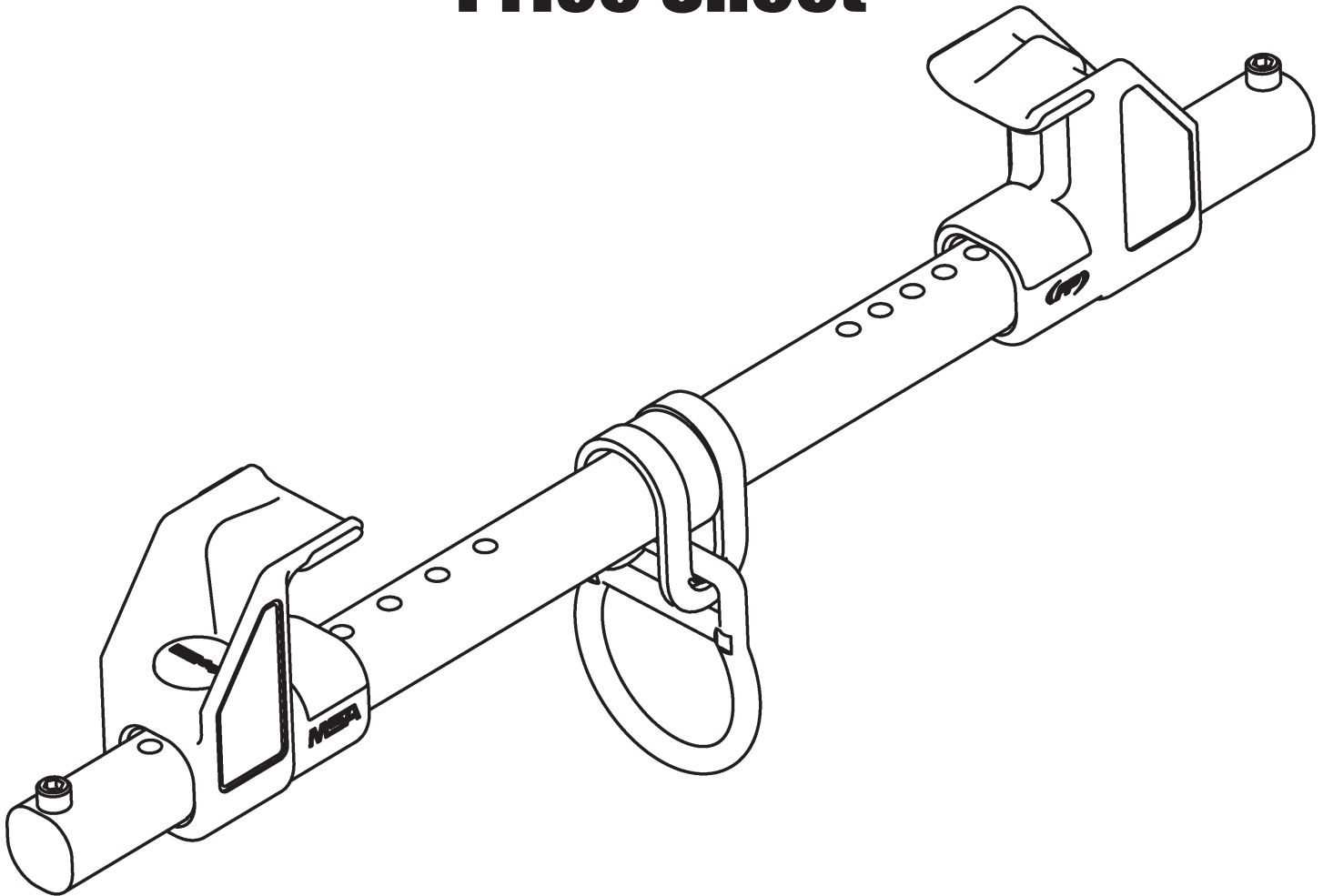


FP Stryder™ Anchorage Connector Price Sheet



FP Stryder Ordering & Pricing Information

Part No.	Description	Price
10051455	FP Stryder Anchorage Connector, Standard version, fits beam flange widths from 4" - 14"	\$ 182.49
10051456	FP Stryder XL Anchorage Connector, XL version, fits beam flange widths from 14" - 24"	\$ 304.87
10051457	FP Stryder Anchorage Connector Kit, containing one (1) complete Standard version FP Stryder, one (1) XL adjustment bar, one (1) thermoplastic storage case, and one (1) adjuster button replacement kit	\$ 375.90
10059380	Thermoplastic storage case for FP Stryder Anchorage Connector	\$ 29.50
10059379	Adjuster Button Replacement Kit, containing one (1) button, one (1) pin, and one (1) spring	\$ 9.02

Pricing valid through December 31, 2007

All Prices in U.S. Dollars