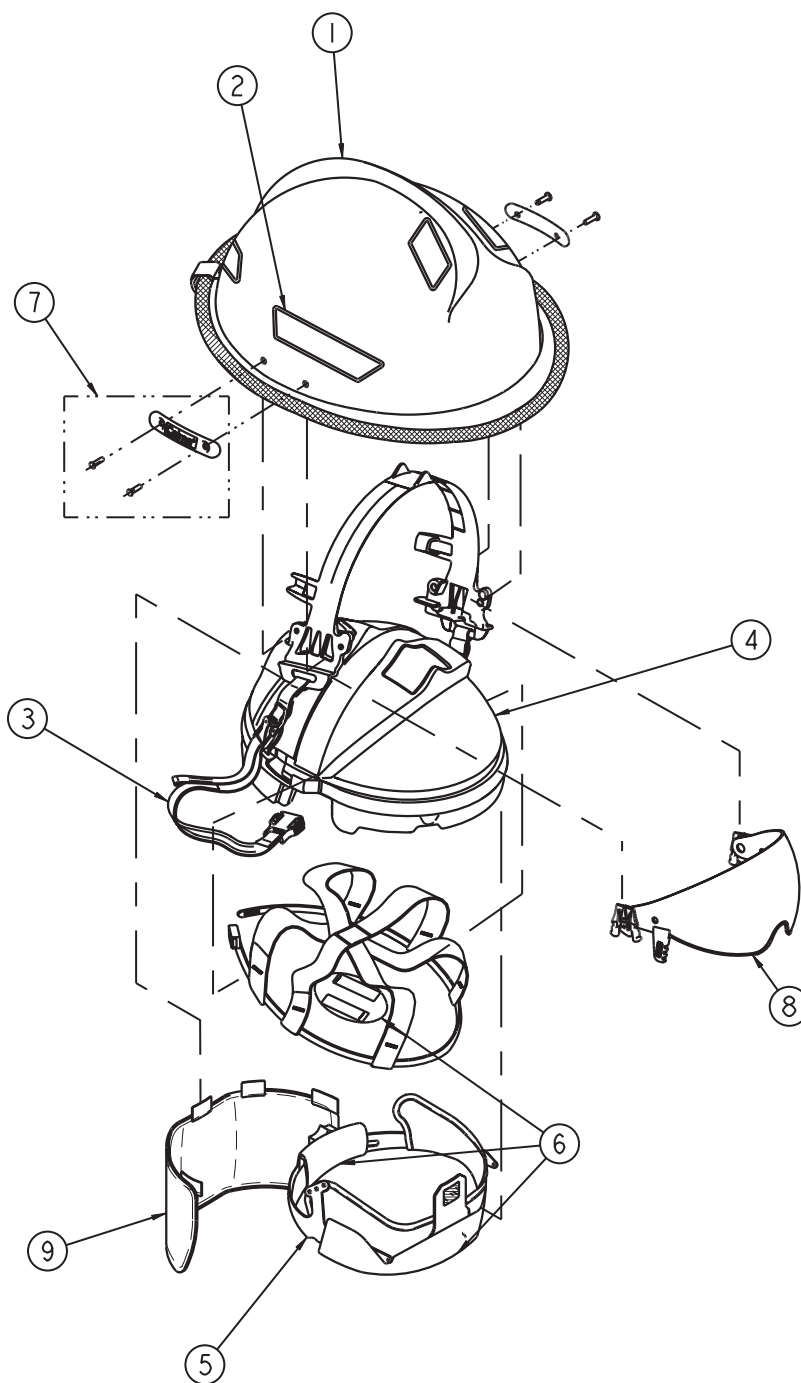


# Replacement Parts for Cairns® Commando HP3 Protective Helmet with Defender® Visor

Item	Description	Replacement P/N
1.	Helmet Shell Complete *Specify by Color	HP3 Defender
	Black	10092394
	Red	10092398
	Blue	10092395
	White	10092399
	Yellow	10092400
	Orange	10092397
	Green	10092396
2.	Reflexite Bar - Lime / Yellow	RT18Y
	Scotchlite Bar - Lime / Yellow	ST18Y
3.	Chinstrap Replacement	
	Nomex w/ Quick Release Buckle	C892P
	Nomex w/ Quick Release Buckle & Postman's Slide	C893P
4.	Impact Cap Assemblies	
	with Quick Release Chinstrap, Standard	10096828
	with Quick Release & Postman's Slide Chinstrap, Standard	10096829
	with Quick Release 3-Point Chinstrap, Standard	10096830
	with Quick Release Chinstrap, Deluxe	10096891
	with Quick Release & Postman's Slide Chinstrap, Deluxe	10096892
	with Quick Release 3-Point Chinstrap, Deluxe	10096893
5.	Ratchet Headband Assembly	RHBP
6.	Headband & Ratchet Liner	
	Economy Flannel	LK27P
	Standard Flannel	LK28P
	Deluxe Leather (Includes Flannel Crown Pad)	LK29P
7.	Defender, Tab, Retainer Replacement	10096796
8.	Defender Lens Assembly	
	Clear	10077117
	Amber Tuffshield	10077118
	Smoke	10077119
	Mirrored	10077120
9.	Earlaps	
	Nomex	10075773
	PBI / Kevlar	10075774



**Note:** This Bulletin contains only a general description of the products shown. While uses and performance capabilities are described, under no circumstances shall the products be used by untrained or unqualified individuals and not until the product instructions including any warnings or cautions provided have been thoroughly read and understood. Only they contain the complete and detailed information concerning proper use and care of these products.



**Corporate Headquarters**  
P.O. Box 426, Pittsburgh, PA 15230 USA  
Phone 412-967-3000  
[www.MSAFire.com](http://www.MSAFire.com)

**U.S. Customer Service Center**  
Phone 1-877-MSA-FIRE  
Fax 1-800-967-0398

**MSA Canada**  
Phone 1-800-MSA-2222  
Fax 905-238-4151

**MSA Mexico**  
Phone (52) 55 2122 5770  
Fax (52) 55 5359 4330

**MSA International**  
Phone 412-967-3354  
FAX 412-967-3451

