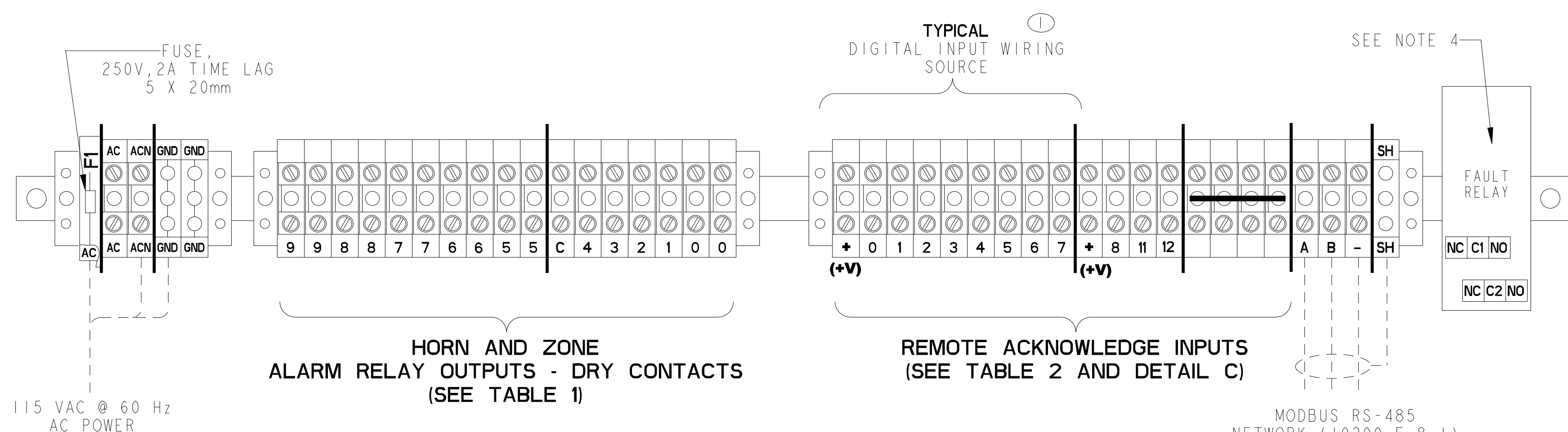
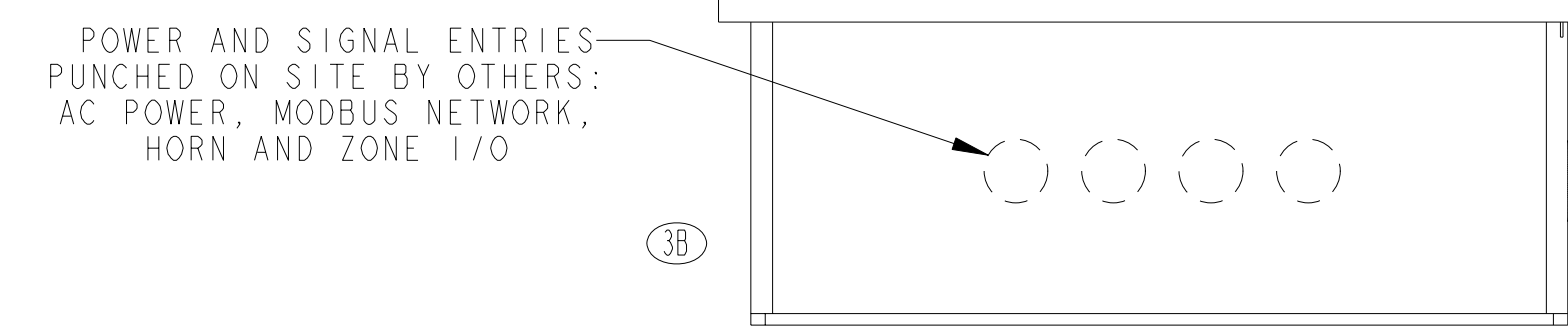


REVISIONS	
1	6-6-2008 INITIAL RELEASE ADDED "TYPICAL DIGITAL INPUT" NOTE
2	6-12-2008 INITIAL RELEASE REVISED DRAWING TITLE, WALL MOUNT PANEL
3	7-3-2008 INITIAL RELEASE A. REVISED NOTES 1 thru 4 & ADDED NOTES 5 thru 13 B. ADDED DETAIL "B" & BOTTOM VIEW SHOWING POWER & SIGNAL ENTRIES
JUL 07 2008	



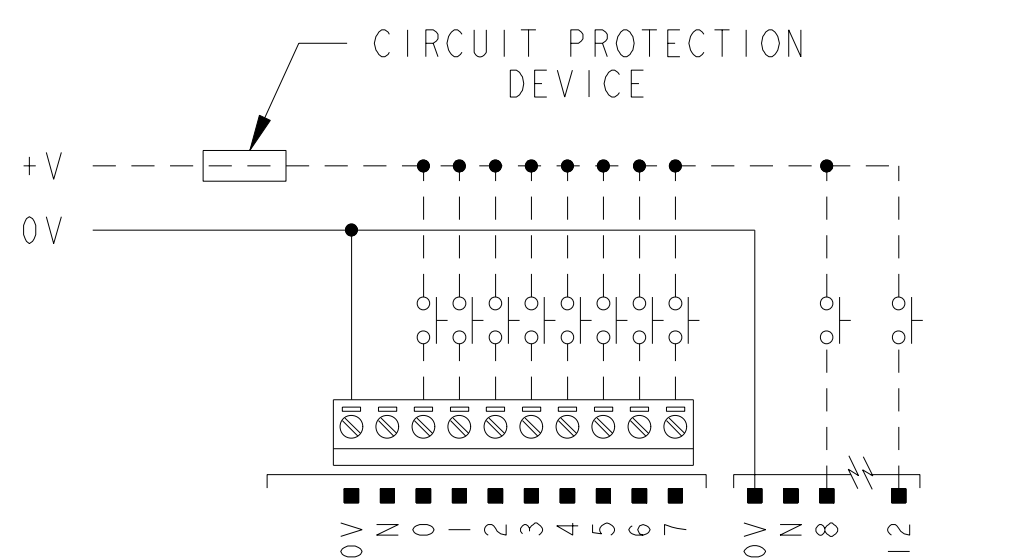
DETAIL "A"



BOTTOM VIEW

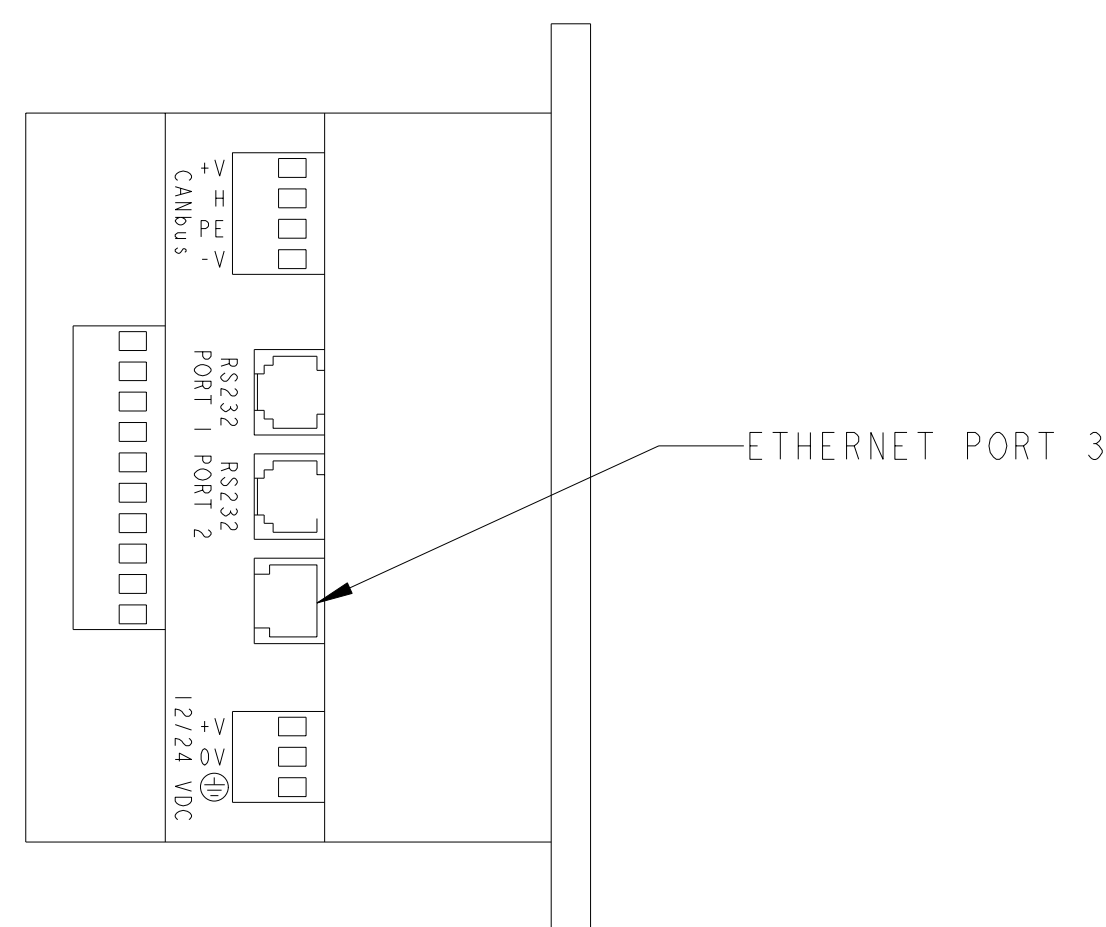
NOTES:

1. DIMENSIONS SHOWN IN INCHES [MILLIMETERS]. MILLIMETER DIMENSIONS SHOWN FOR REFERENCE ONLY.
2. POWER REQUIREMENTS: 115 VAC @ 1.25 AMPS. SEE NOTE 8.
3. ENCLOSURE MATERIAL: FIBERGLASS
4. DPDT FAULT RELAY, CONTACT RATING: 5A (PER CONTACT) @ 250 V_{ac}.
5. RELAY OUTPUTS:
OUTPUT CURRENT: RESISTIVE LOAD
5A MAXIMUM PER OUTPUT
8A MAXIMUM TOTAL FOR COMMON SEE NOTE 6.
INDUCTIVE LOAD
1A MAXIMUM PER OUTPUT
4A MAXIMUM TOTAL FOR COMMON. SEE NOTE 6.
6. OUTPUTS #1, #2, #3 AND #4 SHARE A COMMON SIGNAL. ALL OTHER OUTPUTS HAVE INDIVIDUAL CONTACTS.
7. DIGITAL INPUTS:
INPUT VOLTAGE: SOURCE 0-5VDC FOR LOGIC '0'
17-28.8VDC FOR LOGIC '1'
INPUT CURRENT 6mA @ 24VDC FOR INPUTS #4 TO #15
8.8mA @ 24VDC FOR INPUTS #0 TO #3
8. INTERNAL POWER SUPPLY IS NOT INTENDED FOR USE WITH SENSORS. SENSOR POWER SUPPLY IS EXTERNAL.
9. - - - - - INDICATES CUSTOMER WIRING.
10. MODBUS SENSOR CONFIGURATION - MAKE THE FOLLOWING CHANGES:
- DEFAULT ADDRESS IS 247. CHANGE EACH SENSOR TO A UNIQUE ADDRESS BETWEEN 2 AND 26 FOR USE WITH THE MODCON75 ON EACH NETWORK.
11. MODBUS ADDRESS MUST NOT BE DUPLICATED WITHIN THE SAME NETWORK.
12. SYSTEM BAUD RATE IS FIXED 19,200 bps. DO NOT CHANGE THE SENSORS TO ANY OTHER VALUE.
13. TERMINATOR RESISTORS (120 OHMS @ 1/4W) MUST BE INSTALLED AT EACH END OF THE NETWORK COMMUNICATION CABLES.



DETAIL "C"

TYPICAL DIGITAL INPUT WIRING - SOURCE



DETAIL "B"

INPUT	FUNCTION
0	ZONE 1
1	ZONE 2
2	ZONE 3
3	ZONE 4
4	ZONE 5
5	ZONE 6
6	ZONE 7
7	ZONE 8
8	ZONE 9
9	HORN

INPUT	FUNCTION
0	ZONE 1
1	ZONE 2
2	ZONE 3
3	ZONE 4
4	ZONE 5
5	ZONE 6
6	ZONE 7
7	ZONE 8
8	ZONE 9
11	REMOTE SENSOR ACKNOWLEDGE
12	HORN

NOT ISOLATED SINGLE COMMON "C"

FACTORY WIRED TO INTERNAL HORN

CUSTOMER: _____
 PO #: _____
 MSA #: _____
 LOCATION: _____
 TAG #: _____
 NO. OF UNITS: _____

AUTHORIZED COUNTRY	MSA MINE SAFETY APPLIANCES CO. PITTSBURGH, PA 15230, USA	THIS DRAWING IS THE PROPERTY OF MSA AND IS MADE AVAILABLE TO YOU IN CONFIDENCE AND SUBJECT TO THE FOLLOWING: NO PERMISSION IS GRANTED TO PUBLISH, USE, REPRODUCE, TRANSMIT OR DISCLOSE THIS DRAWING, OR ANY INFORMATION CONTAINED THEREIN TO OTHERS WITHOUT THE PRIOR WRITTEN CONSENT OF MSA EXCEPT FOR THE MANUFACTURE OF ARTICLES FOR MSA. SCHÜTZVERMERK NACH DIN 34 BEACHTEN. MSA AUER GmbH.	DO NOT SCALE DWG.
	MSA STANDARD SHOP PRACTICES APPLY	JOB NO. 30009742 PH0703	APPROVAL AGENCY CODE: NO INTOSH ATTR. DOC.:
	CODE SYMBOLS	DRAWN BY GJT DATE 5-1-2008	
	CRITICAL MAJOR A MAJOR B 100% INSPECTION	CHECKED BY M. BRADLEY 7-7-08	
	TOLERANCES UNLESS OTHERWISE SPECIFIED	PROJ. ENGR. S. TURNER 7-7-08	
	FRACTIONAL ± 1/64	QUALITY ASSURANCE J. DANNHARDT 7-7-08	
	2 PL DEC. ± 0.01	MANUFACTURING J. BRYER 7-7-08	
	3 PL DEC. ± 0.005		
	ANGULAR ± 1 deg.		
	SEE MSA STANDARD SHOP PRACTICES FOR DRILLED HOLE TOLERANCES		
		INSTALLATION OUTLINE, WALL MOUNT, MODCON 75	
		CADD REF: SK3015-1024	SCALE: 0.300
		SK3015-1024	
			SHEET 1 OF 1