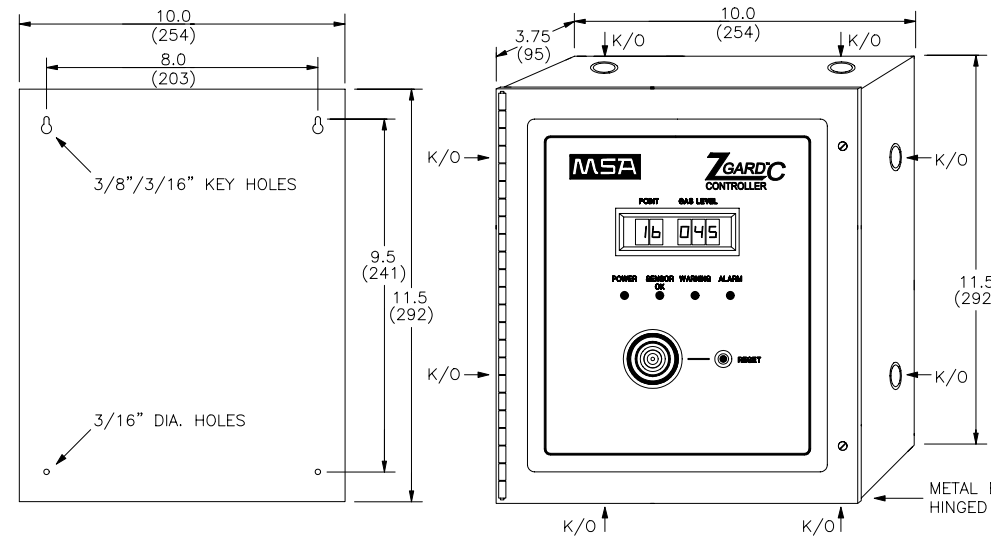


FOR DAISY-CHAIN (SERIES) WIRING OF ZGARD S SENSORS TO THE ZGARD C 485 CONTROLLER AS SHOWN HERE, EACH SENSOR MUST BE UNIQUELY ADDRESSED VIA JUMPERS ON SENSOR CIRCUIT BOARD.

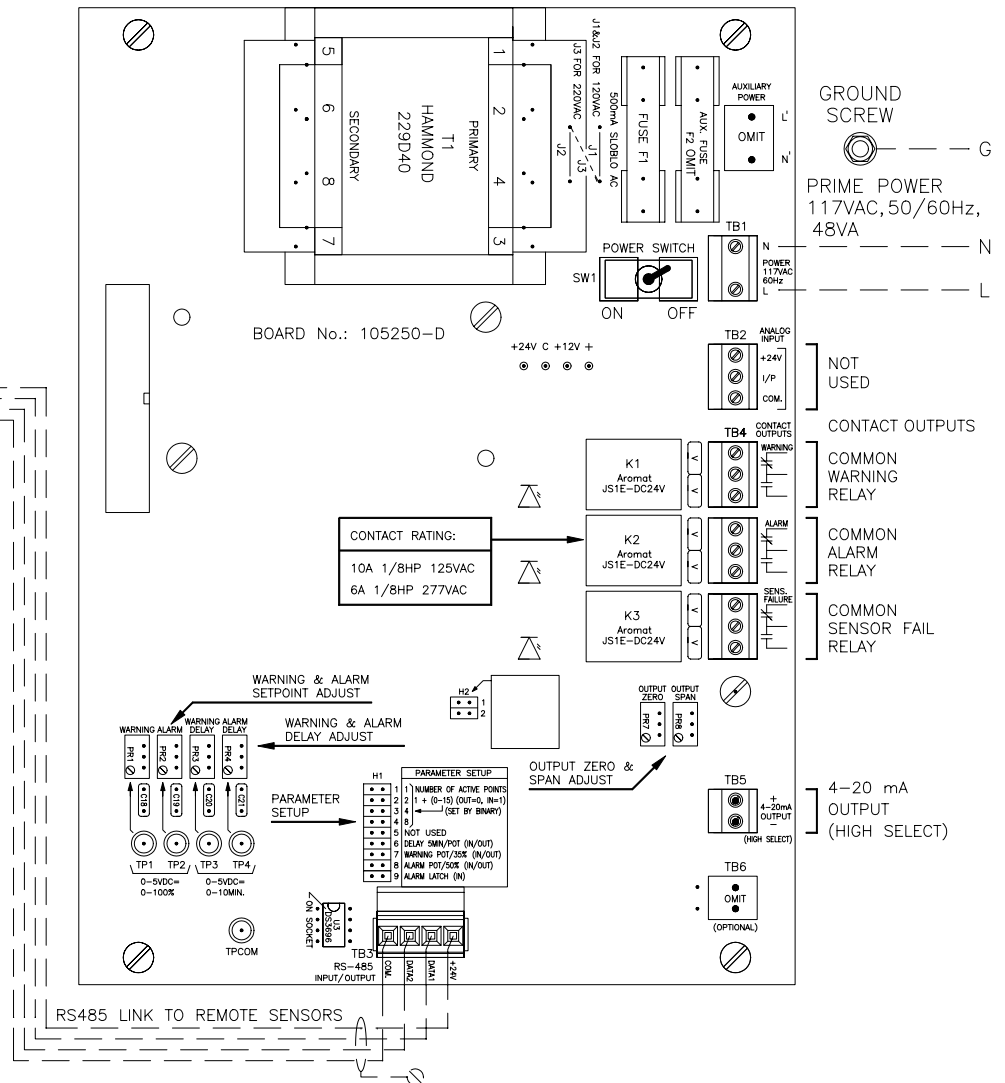
| CABLE LENGTH VS. SIZE (AWG#) |                | 4  | 6  | 8  | 10 | 12 | 14 | 16 |
|------------------------------|----------------|----|----|----|----|----|----|----|
| CABLE LENGTH FEET            | No. OF SENSORS |    |    |    |    |    |    |    |
| 1 TO 500                     | AWG #          | 22 | 22 | 22 | 22 | 22 | 20 | 20 |
| 501 TO 1,000                 | AWG #          | 22 | 20 | 20 | 20 | 18 | 18 | 18 |
| 1,001 TO 1,500               | AWG #          | 20 | 18 | 18 | 16 | 16 | 16 | 16 |
| 1,501 TO 2000                | AWG #          | 18 | 16 | 16 | 14 | 14 | 14 | 14 |

| SUGGESTED CABLE |                       |
|-----------------|-----------------------|
| GAUGE (AWG#)    | 4-WIRE SHIELDED CABLE |
| 22              | ALPHA WIRE 5504       |
| 20              | ALPHA WIRE 5514       |
| 18              | ALPHA WIRE 5524       |
| 16              | ALPHA WIRE 5534       |
| 14              | ALPHA WIRE 5544       |



K/O: 1/2"/3/4" CONDUIT KNOCK OUT

- NOTES:
1. DIMENSIONS SHOWN IN INCHES (MILLIMETERS).
  2. SYSTEM MAY CHANGE TO IMPROVE PERFORMANCE.



|   |                  |         |
|---|------------------|---------|
| <b>MSA</b>  |                  |         |
| CHKD:   | DATE: Dec. 22/04 | DRN: KS |
| <b>ZGARD C 485<br/>16-Channel, 1-Zone Controller<br/>Installation Outline</b> |                  |         |
| DWG. NO.:   | 106926           | REV. A  |