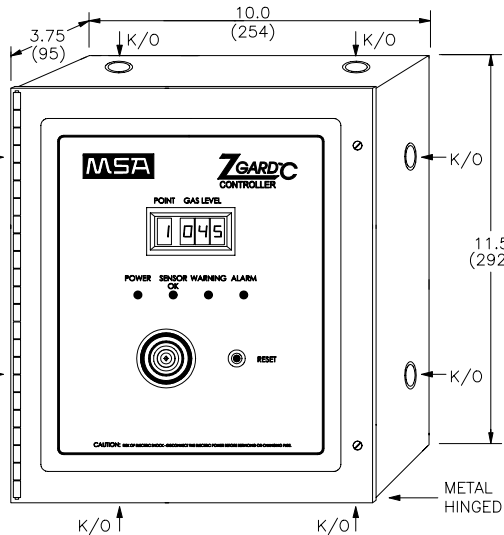
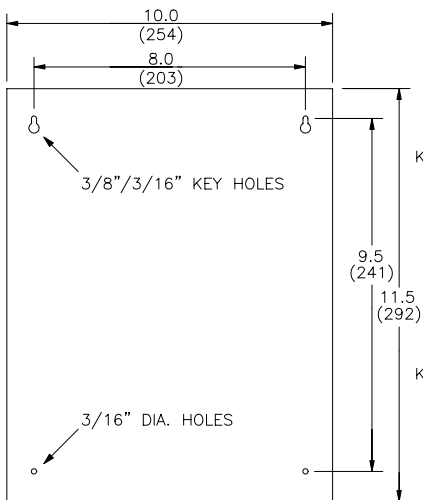


CABLE LENGTH FEET	GAUGE (AWG#)
1 TO 5,000	18

GAUGE (AWG#)	3-WIRE SHIELDED CABLE
18	ALPHA WIRE 5523



SEE DWG 106956-2 FOR RS-485 INPUT CONNECTION DETAILS.

K/O: 1/2\"/>

- NOTES:
1. DIMENSIONS SHOWN IN INCHES (MILLIMETERS).
 2. SYSTEM MAY CHANGE TO IMPROVE PERFORMANCE.

MSA		
CHKD:	DATE: Jan. 26/05	DRN: KS
ZGARD C 1-Channel Controller Installation Outline for 4-20mA Analog Signal Type Sensor		
DWG. NO.:	106956-1	REV. A