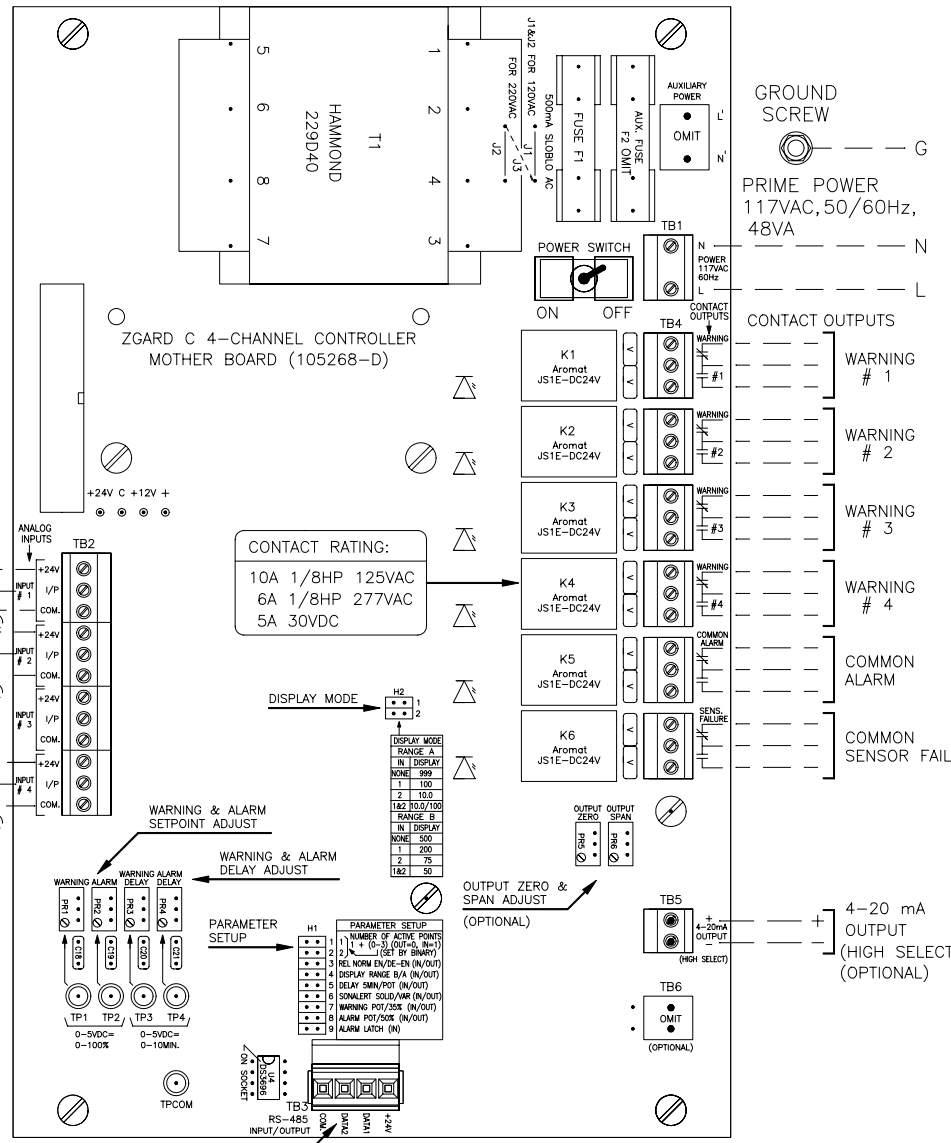
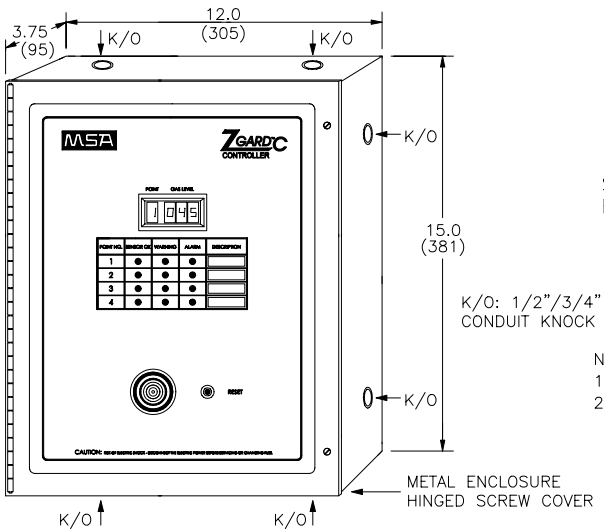
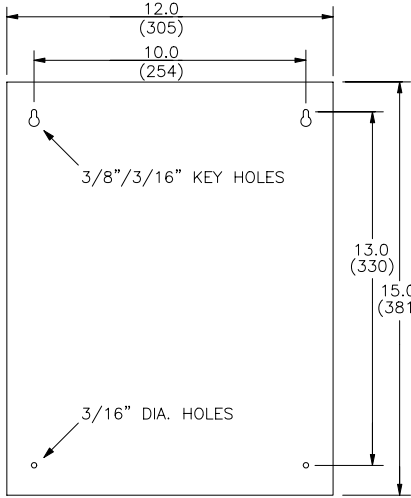


CABLE LENGTH VS. SIZE (AWG#)	
CABLE LENGTH FEET	GAUGE (AWG#)
1 TO 5,000	18

SUGGESTED CABLE	
GAUGE (AWG#)	3-WIRE SHIELDED CABLE
18	ALPHA WIRE 5523



SEE DWG 106957-2 FOR RS-485 INPUT CONNECTION DETAILS.

- NOTES:
- DIMENSIONS SHOWN IN INCHES (MILLIMETERS).
 - SYSTEM MAY CHANGE TO IMPROVE PERFORMANCE.

MSA

CHKD: DATE: Jan. 26/05 DRN: KS

ZGARD C 4-Channel Controller Installation Outline for 4-20mA Analog Signal Type Sensors

DWG. NO.: 106957-1 REV. A