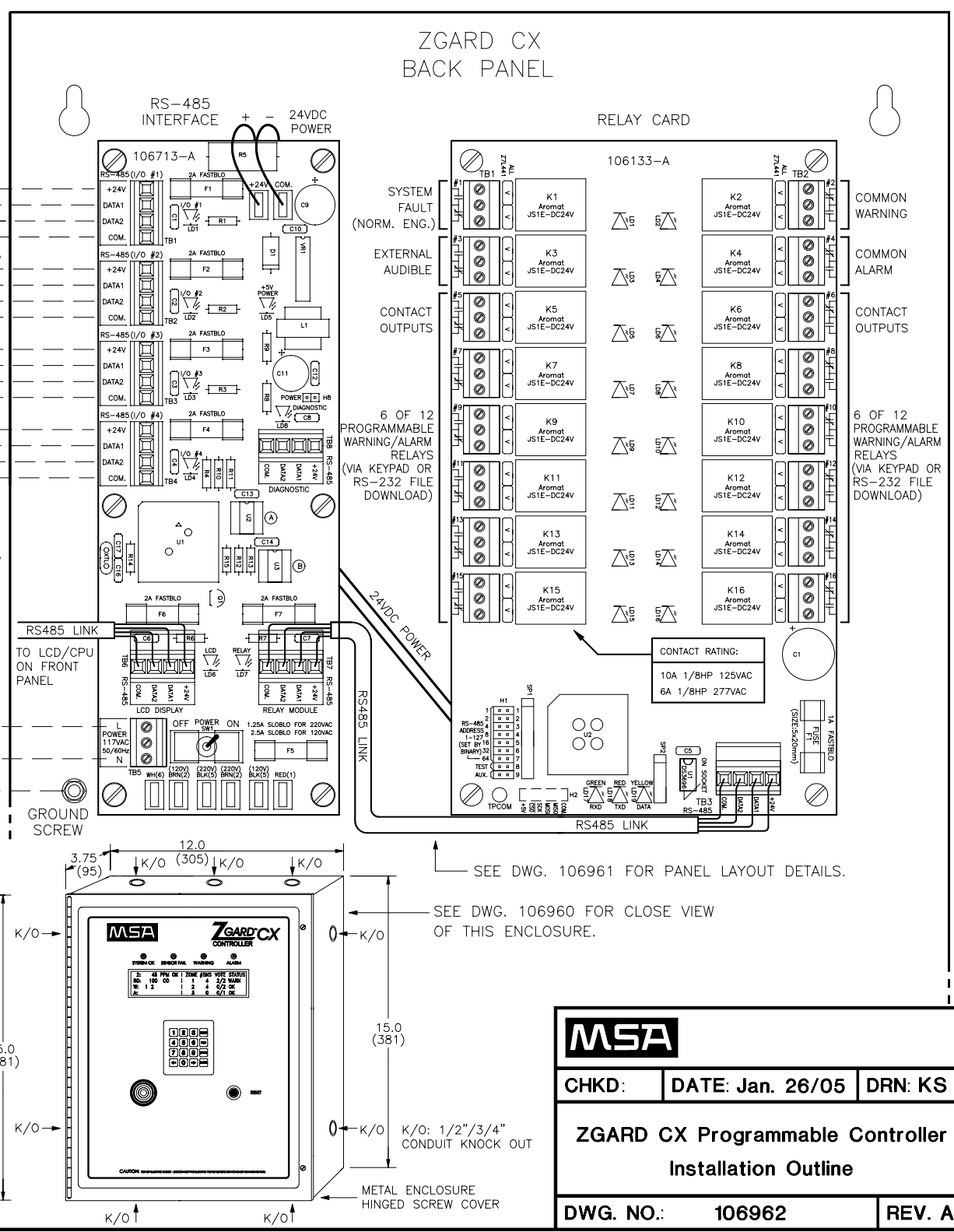
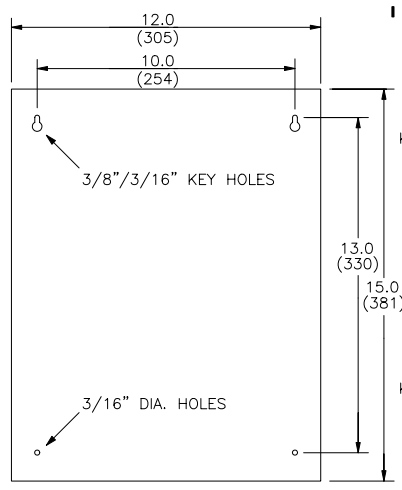


FOR DAISY-CHAIN (SERIES) WIRING OF ZGARD S SENSORS TO THE ZGARD CX AS SHOWN HERE, EACH SENSOR MUST BE UNIQUELY ADDRESSED VIA JUMPERS ON SENSOR CIRCUIT BOARD.

CABLE LENGTH FEET	No. OF SENSORS	4	6	8	10
1 TO 500	AWG #	22	22	22	22
501 TO 1,000	AWG #	22	20	20	20
1,001 TO 1,500	AWG #	20	18	18	16
1,501 TO 2000	AWG #	18	16	16	14

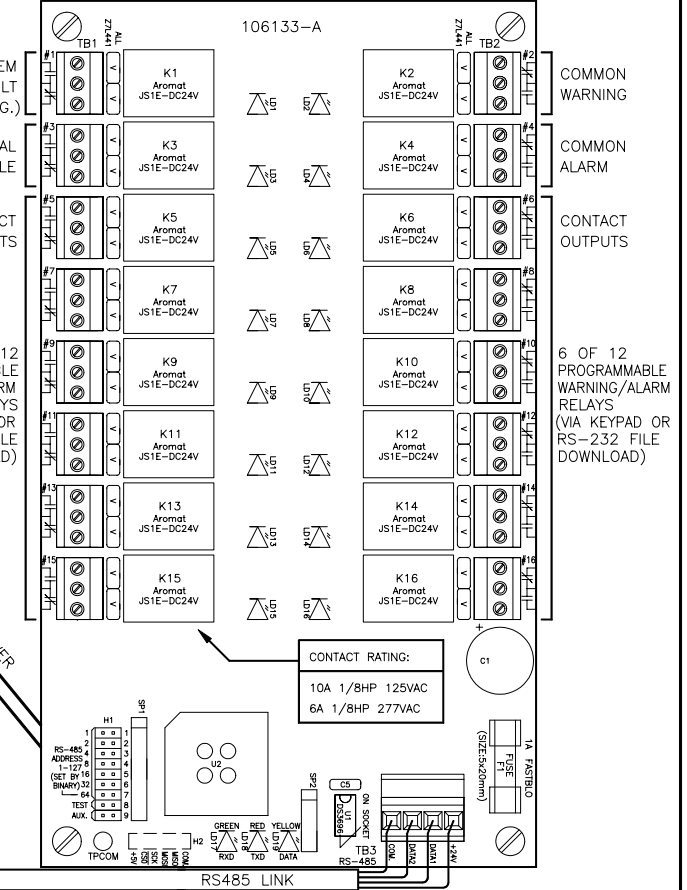
GAUGE (AWG#)	4-WIRE SHIELDED CABLE
22	ALPHA WIRE 5504
20	ALPHA WIRE 5514
18	ALPHA WIRE 5524
16	ALPHA WIRE 5534
14	ALPHA WIRE 5544

NOTES:  
 1. DIMENSIONS SHOWN IN INCHES (MILLIMETERS).  
 2. SYSTEM MAY CHANGE TO IMPROVE PERFORMANCE.



# ZGARD CX BACK PANEL

RELAY CARD



SEE DWG. 106961 FOR PANEL LAYOUT DETAILS.  
 SEE DWG. 106960 FOR CLOSE VIEW OF THIS ENCLOSURE.

<b>MSA</b>		
CHKD:	DATE: Jan. 26/05	DRN: KS
<b>ZGARD CX Programmable Controller Installation Outline</b>		
DWG. NO.:	106962	REV. A