

# Parts List:

# AirHawk II<sup>®</sup> Air Mask

## MAINTENANCE AND REPAIR

For More Information, call 1-800-MSA-2222 or Visit Our Website at [www.MSAnet.com](http://www.MSAnet.com)



**MINE SAFETY APPLIANCES COMPANY**  
**PITTSBURGH, PENNSYLVANIA, U.S.A. 15230**

# AIRFRAME CARRIER AND HARNESS

## Table of Contents

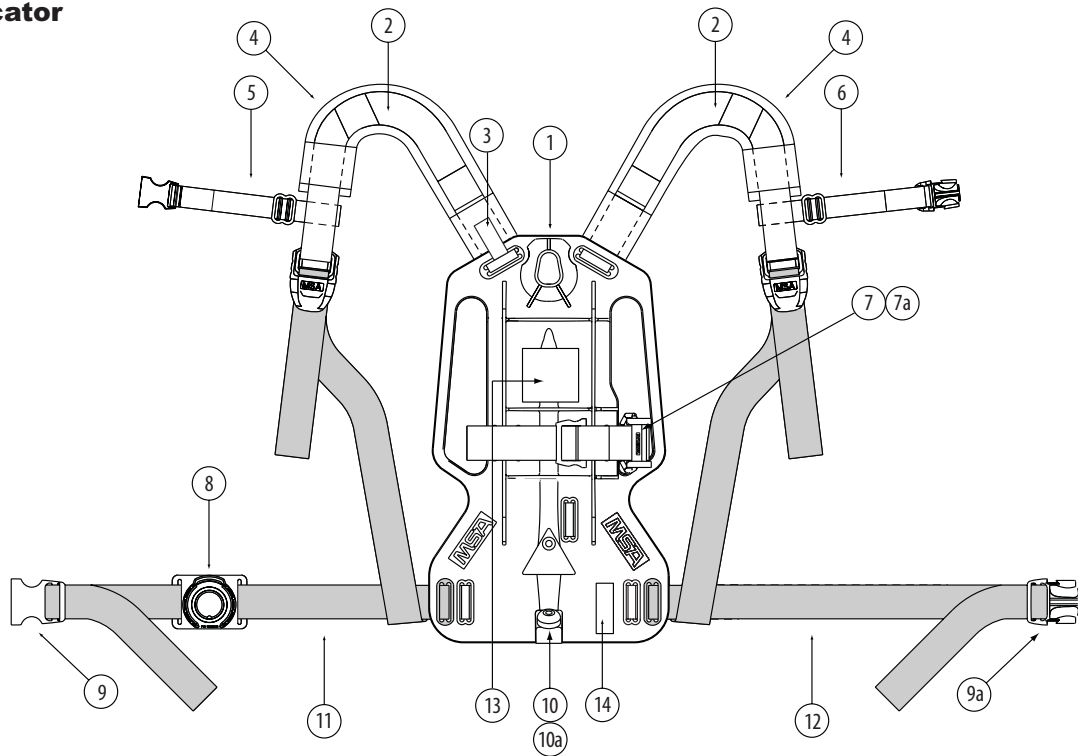
AirFrame® Carrier and Harness .....2	NightFighter® Heads-Up Display (HUD).....13
Carrier and Harness with Lumbar Pad .....3	Gauge, HUD Transmitter, ICM, ICM Tx, and ICM TxR.....14
Carrier and Harness with Swiveling Lumbar Pad .....3	PR14® First Stage Regulator.....16
Carrier and Harness with Swiveling Rescue Belt .....3	Ultra Elite® Facepiece .....18
Audi-Larm® Audible Alarm.....6	Advantage® 4000 Facepiece.....20
Cylinder and Valve .....8	Hose Assemblies .....22
Second Stage Regulator Replacement Kits.....10	ClearCommand® Communication System .....24
Second Stage Regulator (CBRN).....11	
Second Stage Regulator (CBRN) .....12	

Item	P/N	Description
1	10046633	AirFrame Carrier
1a	10046843	AirFrame Carrier w/ Nylon cylinder band
	10052817	AirFrame Carrier w/ Kevlar cylinder band
2	10037254	Shoulder Strap (Nylon)
	10037255	Shoulder Strap (Kevlar)
3	10024954	Hose Strap (Nylon)
	10025955	Hose Strap (Kevlar)
4	10037253	Shoulder Pad
5	10037900	Left Chest Strap (Nylon)
	10040422	Left Chest Strap (Kevlar)
6	10037901	Right Chest Strap (Nylon)
	10040421	Right Chest Strap (Kevlar)
7	10050363	Cylinder Band (Nylon)
7a	10053519	Cylinder Band (Kevlar)
8	10025941	Belt Mount
9	10040451	Side Release Buckle (Female)
9a	10040450	Side Release Buckle (Male)
10	66839	Bumper
10a	10048012	Screw
11	10037256	Left Pull Belt (Nylon)
	10037257	Left Pull Belt (Kevlar)
12	10037258	Right Pull Belt (Nylon)
	10037259	Right Pull Belt (Kevlar)
13	10084504	NIOSH Label
14	10042564	Caution Label
15	10011767	Lumbar Pad
16	10047749	Swiveling Lumbar Pad
17	10026809	Support

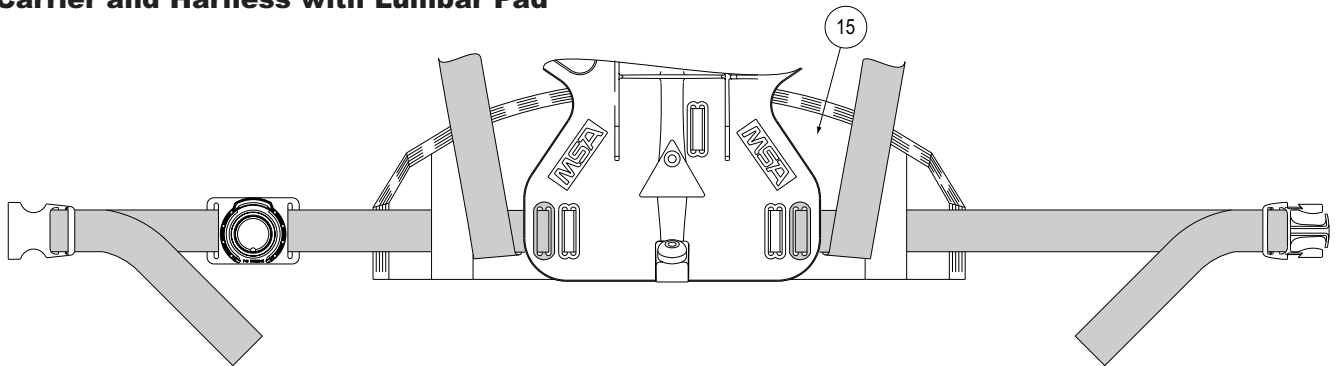
Lumbar Pad Kits		
10055481 (w/ pad)	10047749	Swiveling Lumbar Pad
	10026809	Support
	10047748	Rubber Block
	10048013	Screw
	10047751	Nut
	10055427	Instructions
10055350	10026809	Swiveling Lumbar Pad Support
	10047748	Rubber Block
	10048013	Screw
	10047751	Nut
	10055427	Instructions

# AIRFRAME CARRIER AND HARNESS

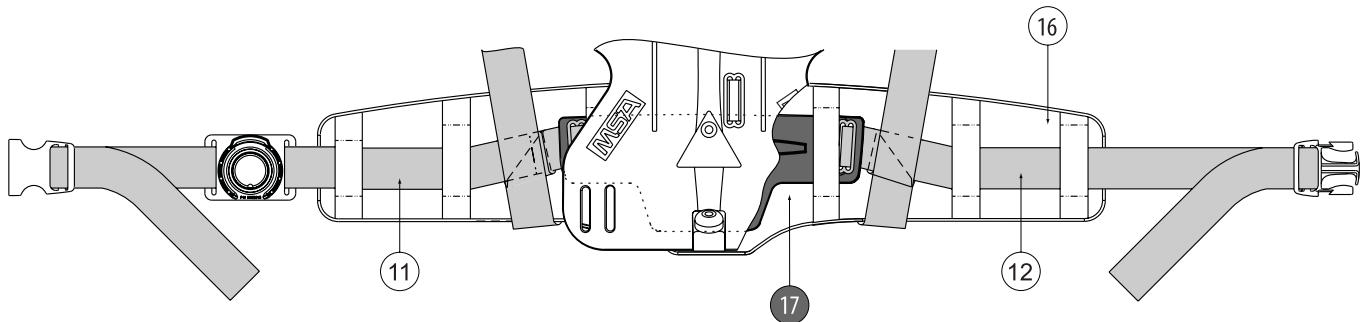
## Parts Locator



## Carrier and Harness with Lumbar Pad



## Carrier and Harness with Swiveling Lumbar Pad

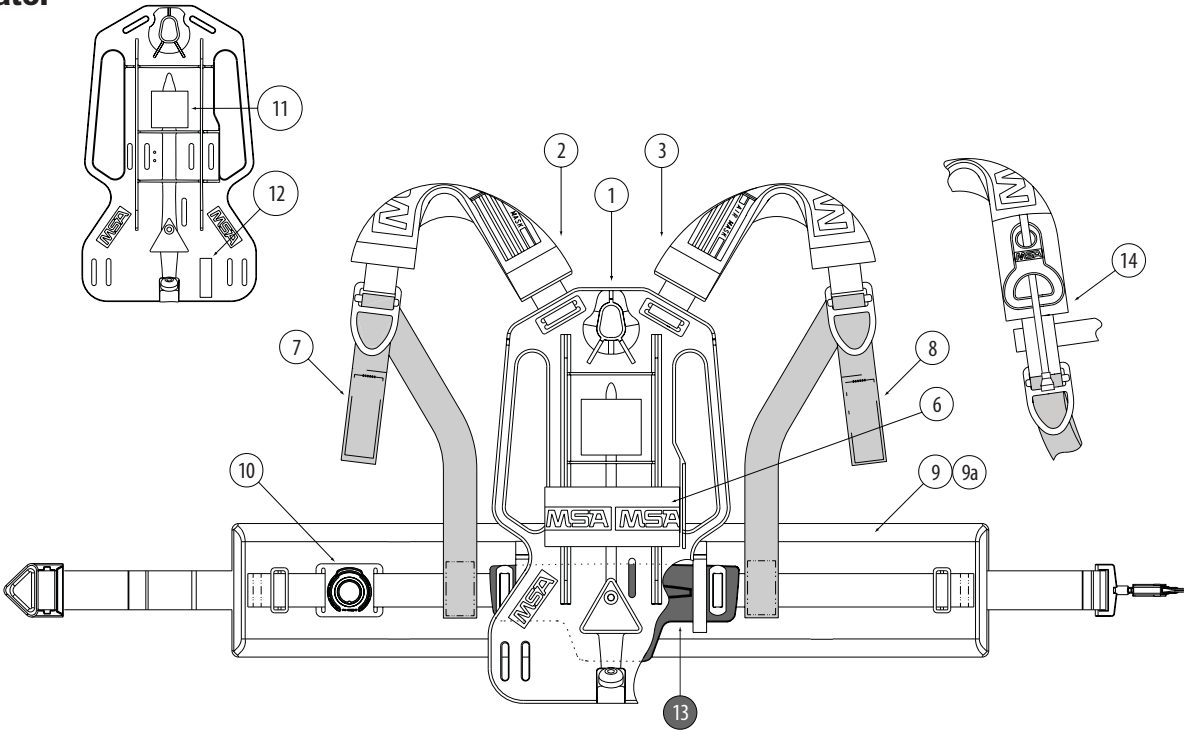


# AIRFRAME CARRIER AND HARNESS WITH RESCUE BELT

Item	P/N	Description
1a	10046842	AirFrame Carrier with Stainless Steel Band
2	10048173	Left Shoulder Strap
3	818281	Right Shoulder Strap
4	10037900	Right Chest Strap (Nylon)
	10040421	Right Chest Strap (Kevlar)
5	10037901	Left Chest Strap (Nylon)
	10040422	Left Chest Strap (Kevlar)
6	805430	Cylinder Band Label (2216 psig)
	805265	Cylinder Band Label (4500 psig)
7	818378	Left Double Pull Strap
8	818377	Right Double Pull Strap
9	10052766	50' Rescue Belt w/56" Waist Belt
	10071003	50' Rescue Belt w/66" Waist Belt
	10052767	50' Rescue Belt w/76" Waist Belt
9a	10052768	75' Rescue Belt w/56" Waist Belt
	10071004	75' Rescue Belt w/66" Waist Belt
	10052769	75' Rescue Belt w/76" Waist Belt
10	10022245	Belt Mount
11	10084504	NIOSH Label
12	10052564	Non-NFPA Label (see inset)
13	10026809	Support
	10047748	Rubber Block (not shown)
	10048013	Screw (not shown)
	10047751	Nut (not shown)
14	10016029	Tether

# AIRFRAME CARRIER AND HARNESS WITH RESCUE BELT

## Parts Locator

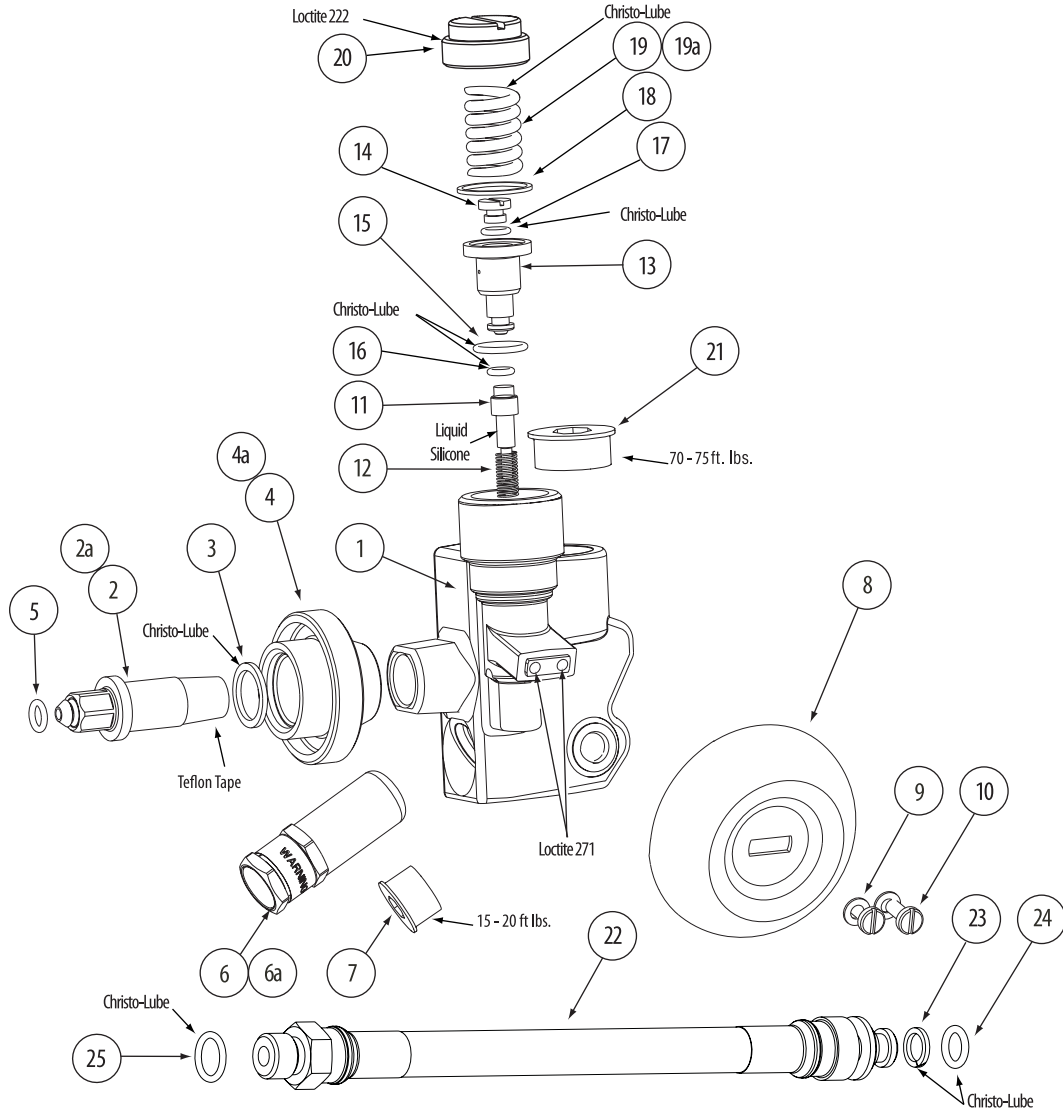


# AUDI-LARM AUDIBLE ALARM PARTS LIST AND KITS

Item	P/N	Description
1	10038417	Audi-Larm Body
2	10062086	Fitting, Nipple, 2216psi
2a	10062087	Fitting, Nipple, 4500 psi
3	93031	Washer, CGA Nut
4	10062084	Coupling Nut, 2216 psi
4a	10062085	Coupling Nut, 4500 psi
5	633553	Nipple O-ring
6	10036292	Pressure Relief Valve with O-ring, 4500 psi
6a	10036291	Pressure Relief Valve with O-ring, 2216 psi
7	10086491	Relief Valve with O-ring
8	485829	Bell
9	54197	Lock Washer (2 required)
10	635245	Screw, #8-32 x 7/16 LG (2 required)
11	10044574	Striker with Pellet
12	85055	Striker Spring
13	85049	Piston Assembly
14	85052	Piston Plug
15	635953	Piston Bore O-ring
16	635954	Piston Nose O-ring
17	66395	Piston Plug O-ring
18	68523	Retaining Ring
19	455941	Spring, 2216 psi
19a	474352	Spring, 4500 psi
20	474369	Adjusting Nut
21	10086390	URC Adapter Plug w/ O-ring
	635068	O-ring (not shown)
22	804382	High Pressure Hose w/ Back-up Ring and O-rings
23	635278	Back-up Ring
24	63198	O-ring
25	638166	O-ring
	809028	Chisto-Lube Lubricant (2 cc tube)
	28907	Teflon Tape
	29787	Loctite 222
	26875	Loctite 271
	494992	Liquid Silicone Lubricant

Audi-Larm Audible Alarm Replacement and Maintenance Kits		
10037310	Audi-Larm Audible Alarm, 2216 psi, complete	
10037312	Audi-Larm Audible Alarm, 4500 psi, complete	
Maintenance Kit		
10045831	635953	Piston Bore O-ring
	635954	Piston Nose O-ring
	66395	Piston Plug O-ring
	85055	Striker Spring
	85051	Striker
	85053	Pellet
	68523	Retaining Ring
	603342	Liquid Silicone Lubricant
Bell Replacement Kit		
10090907	485829	Bell
	54197	Lockwasher Lock
	635245	Screw (2)
	26875	Loctite 271
Piston Replacement Kit		
10090908	635953	Piston Bore O-ring
	635954	Piston Nose O-ring
	66395	Piston Plug O-ring
	85052	Piston Plug
	85049	Piston Assembly
Striker Replacement Kit		
10044574	85051	Striker
	85053	Pellet
	603342	Liquid Silicone Lubricant
Dust Cover Replacement Kit		
10090909	10038031	Dust Cover Assembly
	10037952	Screw
	10041962	Washer
Audi-Larm Audible Alarm O-ring Replacement Kit		
10090910	633553	Nipple O-ring Kit (pack of 10)

# AUDI-LARM AUDIBLE ALARM EXPLODED VIEW



# CYLINDER AND VALVE REPLACEMENT KITS

## Cylinder and Valve Replacement Kits

P/N		Description
With Air	Less Air	
809872	10033357	3AL Aluminum, 45 cu ft.*
469619	10033209	Hoop-wound, 45 cu ft..
807588	10033356	L-30 Stealth Carbon-wrapped, 45 cu ft.
807587	10037095	H-30 Stealth Carbon-wrapped, 45 cu ft.
807570	10033355	H-45 Stealth Carbon-wrapped, 66 cu ft.
10035644	10040591	H-45 Low-Profile, Stealth Carbon-wrapped, 66 cu ft.
807588	10033356	H-60 Stealth Carbon-wrapped, 88 cu ft.

## Cylinder Replacement Kits

P/N	Description
814806	3AL Aluminum, 45 cu ft.*
811119	Hoop-wound, 45 cu ft.
816970	L-30 Stealth Carbon-wrapped
816972	H-30 Stealth Carbon-wrapped, 45 cu ft.
816973	H-45 Stealth Carbon-wrapped, 66 cu ft.
10044832	H-45 Low-Profile, Stealth Carbon-wrapped, 66 cu ft.
816971	H-60 Stealth Carbon-wrapped, 88 cu ft.

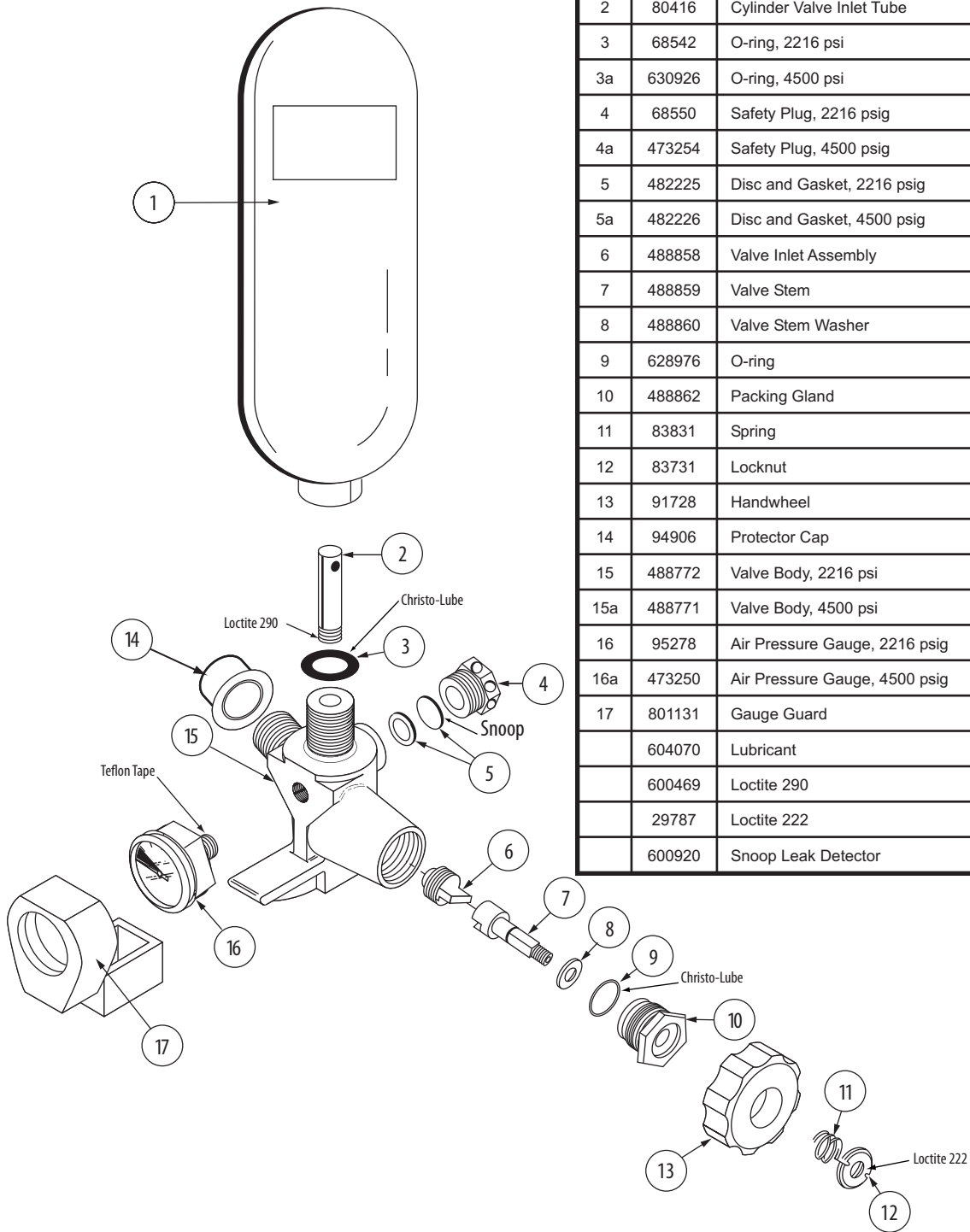
## Cylinder Valve Replacement Kits

P/N	Description
488894	Cylinder Valve Assembly (2216 psig)
488899	Cylinder Valve Assembly (4500 psig)

\*Contact MSA Customer Service (1-800-MSA-2222) for approval information before ordering.



# CYLINDER AND VALVE



Item	P/N	Description
1		Cylinder
2	80416	Cylinder Valve Inlet Tube
3	68542	O-ring, 2216 psi
3a	630926	O-ring, 4500 psi
4	68550	Safety Plug, 2216 psig
4a	473254	Safety Plug, 4500 psig
5	482225	Disc and Gasket, 2216 psig
5a	482226	Disc and Gasket, 4500 psig
6	488858	Valve Inlet Assembly
7	488859	Valve Stem
8	488860	Valve Stem Washer
9	628976	O-ring
10	488862	Packing Gland
11	83831	Spring
12	83731	Locknut
13	91728	Handwheel
14	94906	Protector Cap
15	488772	Valve Body, 2216 psi
15a	488771	Valve Body, 4500 psi
16	95278	Air Pressure Gauge, 2216 psig
16a	473250	Air Pressure Gauge, 4500 psig
17	801131	Gauge Guard
	604070	Lubricant
	600469	Loctite 290
	29787	Loctite 222
	600920	Snoop Leak Detector

## SECOND STAGE REGULATOR REPLACEMENT KITS

### Second Stage Regulator Replacement Kits

P/N	Item	Description
10087305	10087295	Valve Assembly
	10087301	Housing Assembly

### FireHawk M7 Air Mask Second Stage Regulator Overhaul Kits

P/N	Item	Description
10030663	10023509	O-ring (2 required)
	10037951	O-ring (2 required)
	697453	O-ring, Silicone, Red
	634669	O-ring
	63198	O-ring
	10020784	Screen

### Second Stage Regulator Overhaul Kits

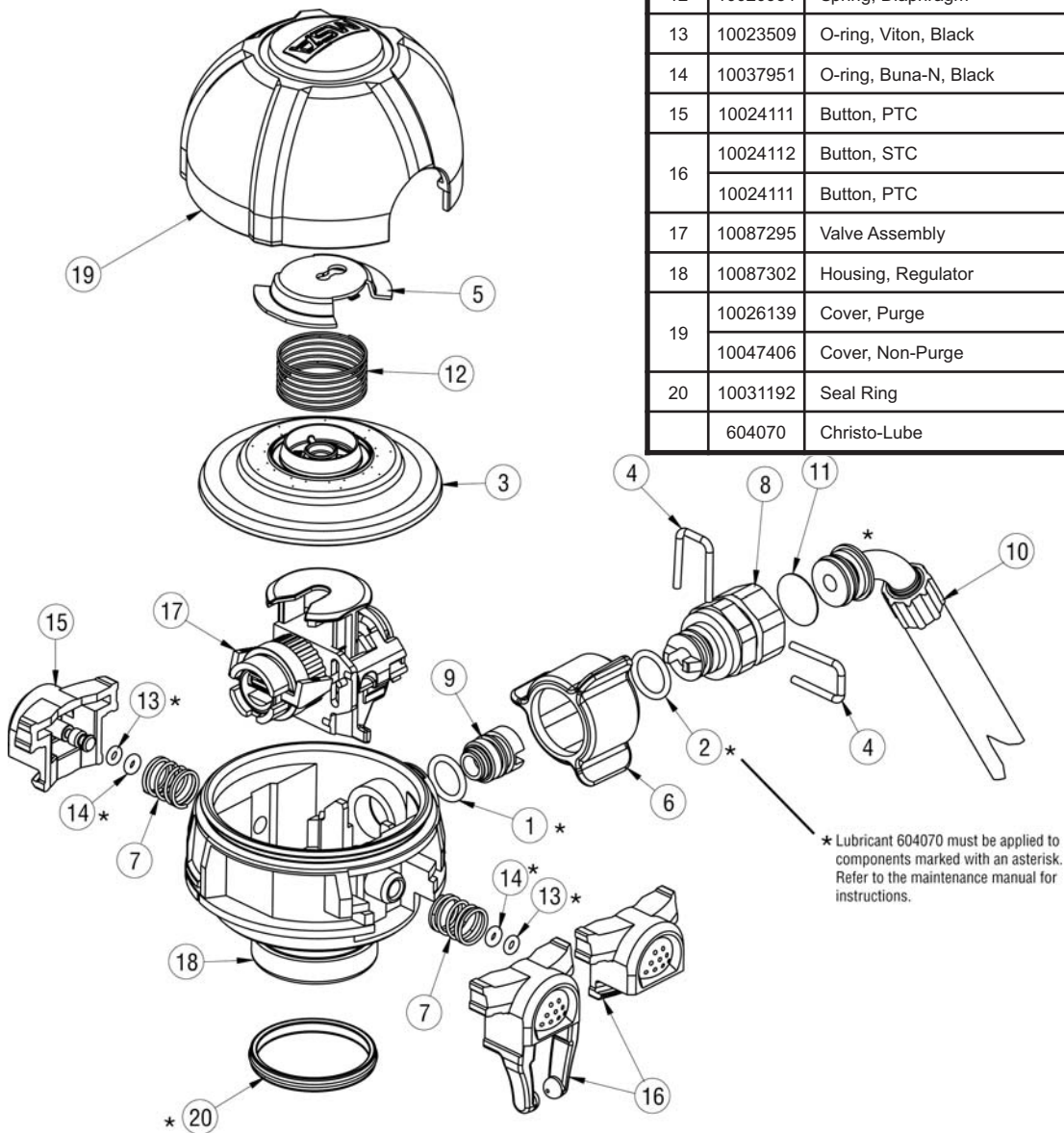
P/N	Item	Description
10091435	10047528	Cap, String
	10044026	Shield, CBRN
10091436	10031192	Seal Ring (pack of 10)
10091437	10023509	O-ring (pack of 10)
10091438	10037951	O-ring (pack of 10)
10091439	10018965	Spring, Button (pack of 10)
10091440	697453	O-ring, Silicone, Red (pack of 10)
10091461	10018965	Spring, Button (pack of 10)
	634669	O-ring (pack of 10)

### Height Gauge Kit

P/N	Item	Description
10090458	10090457	Height Gauge for P/N 10087295

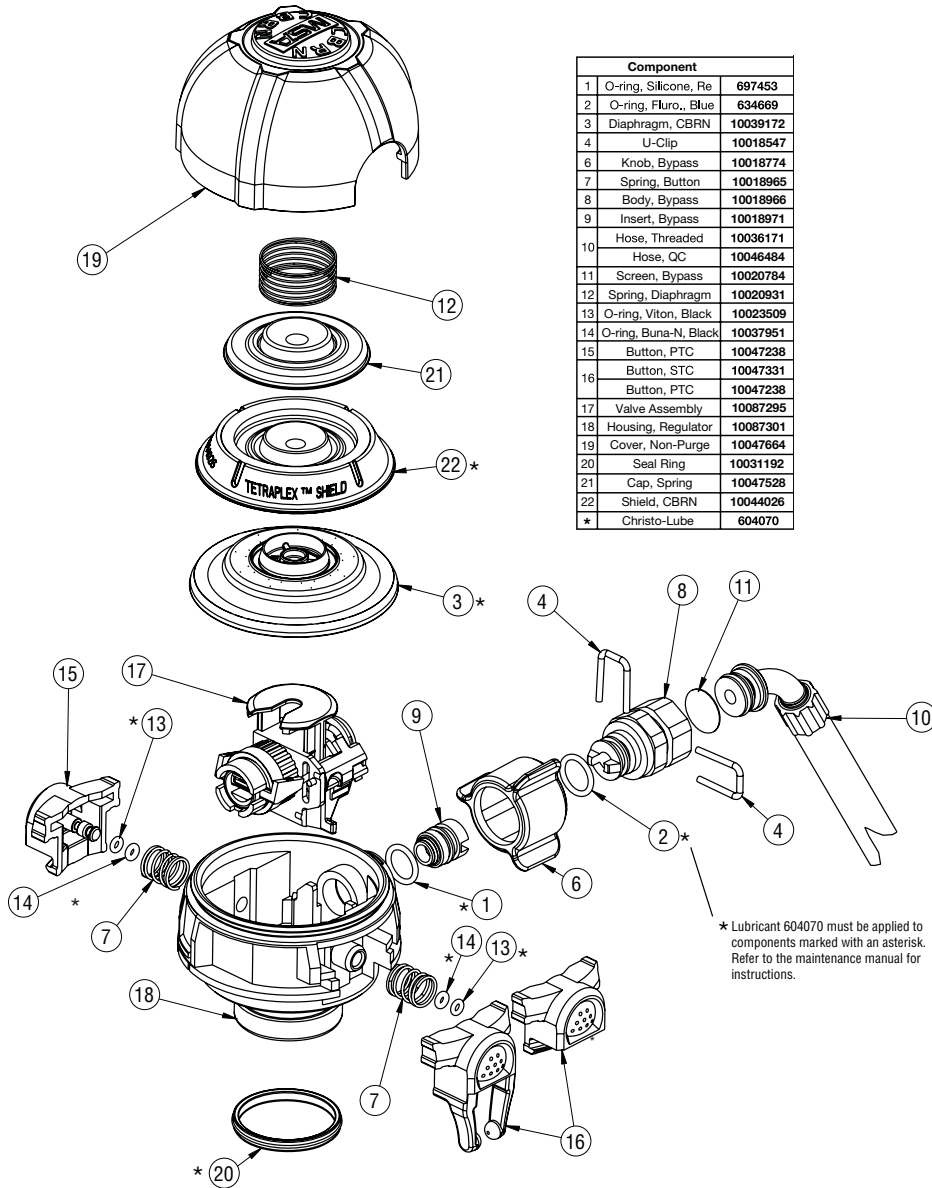
# FIREHAWK SECOND STAGE REGULATOR

Item	P/N	Description
1	697453	O-ring, Silicone, Red
2	634669	O-ring, Fluro, Blue
3	10018540	Diaphragm, Silicone
4	10018547	U-clip
5	10018622	Retainer, Spring, Purge Cover ONLY
6	10018774	Knob, Bypass
7	10018965	Spring, Button
8	10018966	Body, Bypass
9	10018971	Insert, Bypass
10	10020782	Hose, Threaded
	10032940	Hose, QC
11	10020784	Screen, Bypass
12	10020931	Spring, Diaphragm
13	10023509	O-ring, Viton, Black
14	10037951	O-ring, Buna-N, Black
15	10024111	Button, PTC
	10024112	Button, STC
16	10024111	Button, PTC
	10024112	Button, STC
17	10087295	Valve Assembly
18	10087302	Housing, Regulator
19	10026139	Cover, Purge
	10047406	Cover, Non-Purge
20	10031192	Seal Ring
	604070	Christo-Lube



# CBRN SECOND STAGE REGULATOR

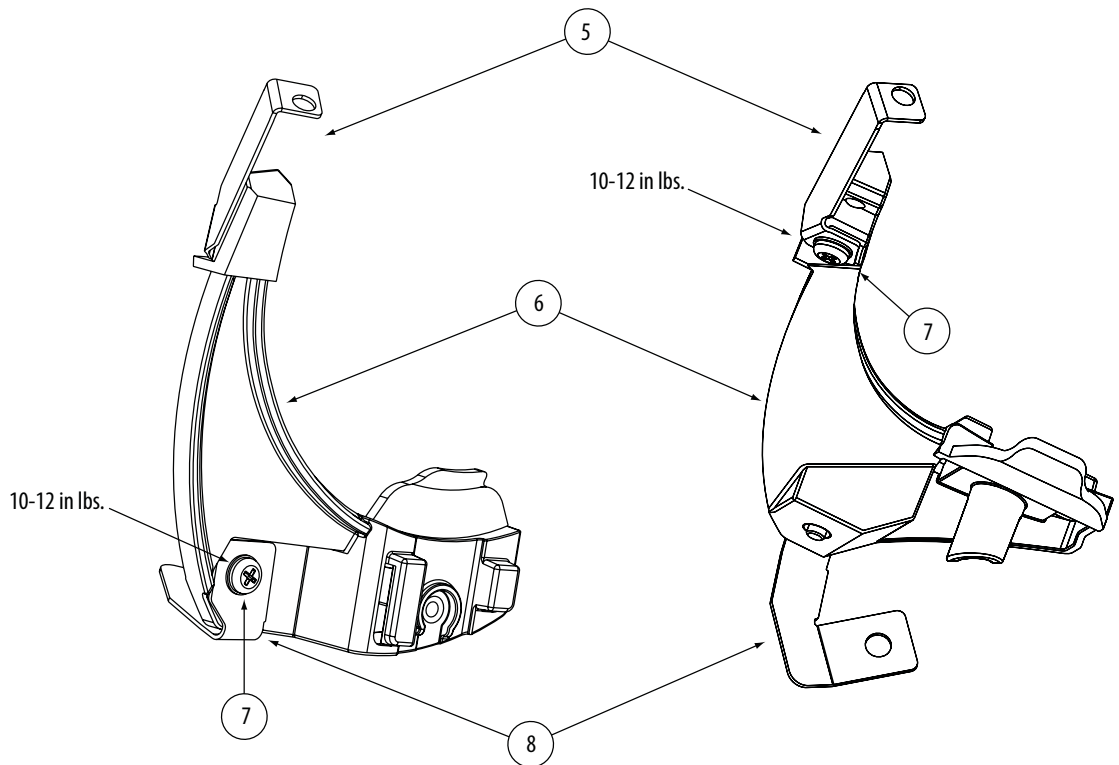
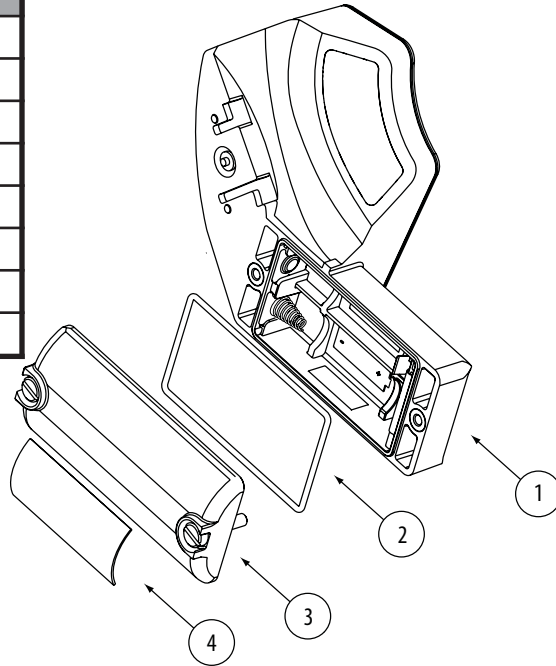
## Firehawk CBRN Mask Mounted Regulator



Component	
1	O-ring, Silicone, Re 697453
2	O-ring, Fluoro., Blue 634669
3	Diaphragm, CBRN 10039172
4	U-Clip 10018547
6	Knob, Bypass 10018774
7	Spring, Button 10018965
8	Body, Bypass 10018966
9	Insert, Bypass 10018971
10	Hose, Threaded 10036171
	Hose, QC 10046484
11	Screen, Bypass 10020784
12	Spring, Diaphragm 10020931
13	O-ring, Viton, Black 10023509
14	O-ring, Buna-N, Black 10037951
15	Button, PTC 10047238
16	Button, STC 10047331
	Button, PTC 10047238
17	Valve Assembly 10087295
18	Housing, Regulator 10087301
19	Cover, Non-Purge 10047664
20	Seal Ring 10031192
21	Cap, Spring 10047528
22	Shield, CBRN 10044026
*	Christo-Lube 604070

# NIGHTFIGHTER HUD REPLACEMENT KITS AND PARTS LIST

NightFighter HUD Receiver		
	10061542	NightFighter Receiver
Item	P/N	Description
1	10061714	Receiver
2	10061546	Gasket
3	10061545	Battery Cover
4	10062651	Label
5	10037381	Top Clip
6	10037386	Bracket
7	10068238	Screw (2 required)
8	10037380	Bottom Clip



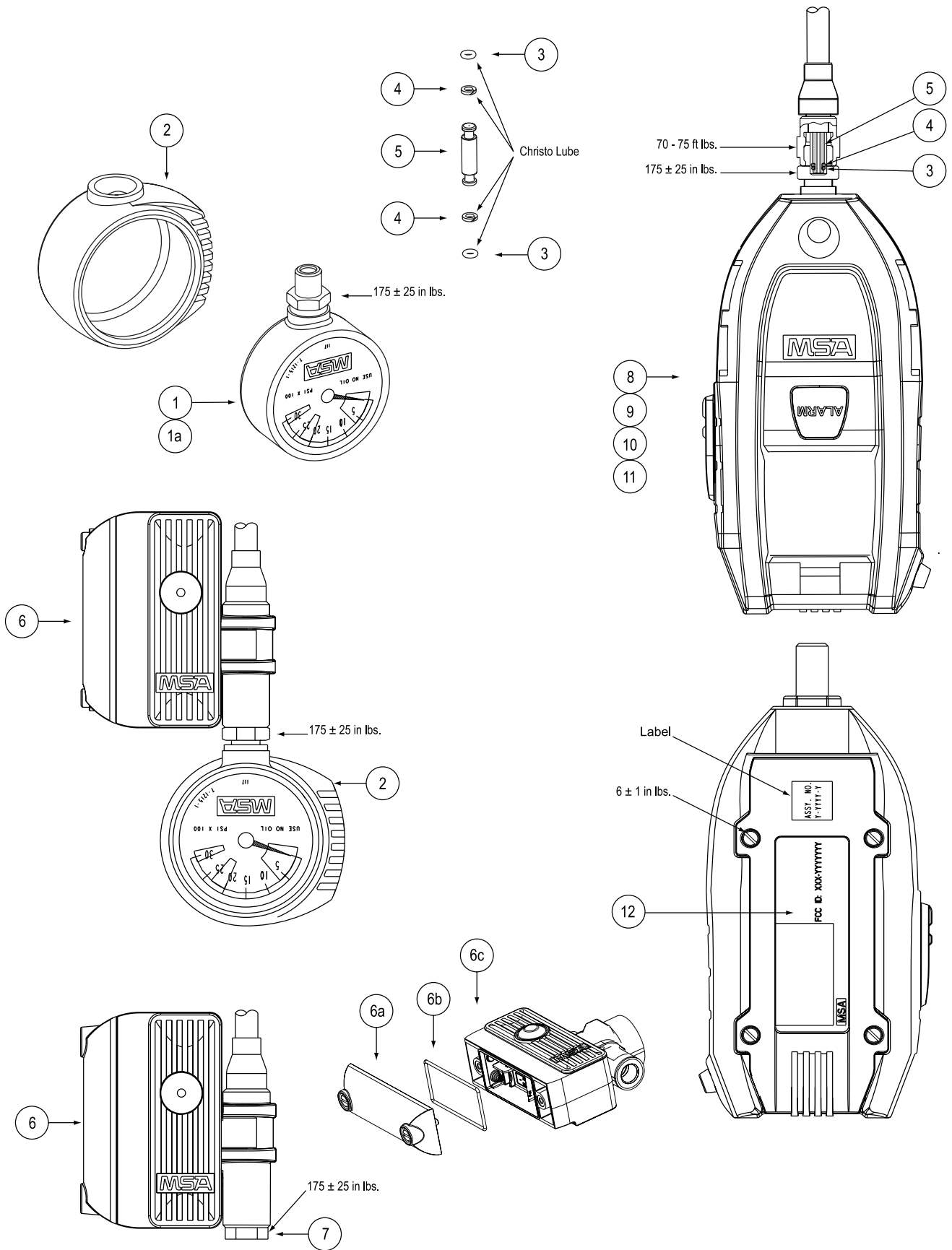
# GAUGE, HUD TRANSMITTER, ICM, ICM TX, ICM TXR

Standard Gauge		
Item	P/N	Description
1	10003611	Gauge (2216 psig)
1a	10003610	Gauge (4500 psig)
2	10011302	Guard
3	638167	O-ring (2 required)
4	635277	Back-up Ring (2 required)
5	10003605	Gauge Air Spool/Orifice
HUD Transmitter		
6	10036997	Transmitter Assembly (2216 psig)
	10036998	Transmitter Assembly - Quick-Fill (2216 psig)**
	10036995	Transmitter Assembly (4500 psig)
	10036996	Transmitter Assembly - Quick-Fill (4500 psig)**
6a	10037385	Battery Cover w/ Screws
6b	10035665	Seal Ring, Battery Cover
7	10037790	Plug
	632040	AA Battery (2 required)
ICM TX		
8	10067165	ICM Tx (2216 psig)*
	10067168	ICM Tx (4500 psig)*
3	638167	O-ring (2 required)
4	635277	Back-up Ring (2 required)
5	10003605	Gauge Air Spool/Orifice
12	10068303	Battery Cover w/ Screws
	632466	AA Battery (4 required)
ICM TX w/ Heat Sensor		
9	10067164	ICM Tx w/ Heat Sensor (2216 psig)*
	10067167	ICM Tx w/ Heat Sensor (4500 psig)*
3	638167	O-ring (2 required)
4	635277	Back-up Ring (2 required)
5	10003605	Gauge Air Spool/Orifice
12	10068303	Battery Cover w/ Screws
	632466	AA Battery (4 required)

ICM TxR		
Item	P/N	Description
10	10063248	ICM TxR (2216 psig)*
	10063276	ICM TxR (4500 psig)*
3	638167	O-ring (2 required)
4	635277	Back-up Ring (2 required)
5	10003605	Gauge Air Spool/Orifice
12	10078561	Battery Cover w/ Screws
	632466	AA Battery (4 required)
ICM TxR w/ Heat Sensor		
11	10063247	ICM TxR w/ Heat Sensor (2216 psig)*
	10063275	ICM TxR w/ Heat Sensor (4500 psig)*
3	638167	O-ring (2 required)
4	635277	Back-up Ring (2 required)**
5	10003605	Gauge Air Spool/Orifice
12	10078561	Battery Cover w/ Screws
	632466	AA Battery (4 required)
Lubricants and Adhesives		
	26875	Loctite 271
	604070	Christo-Lube Lubricant

\*Includes O-ring and Back-up Ring  
 \*\* Quick-Fill System sold separately

# EXPLODED VIEW



## PR14 FIRST STAGE REGULATOR PARTS LIST

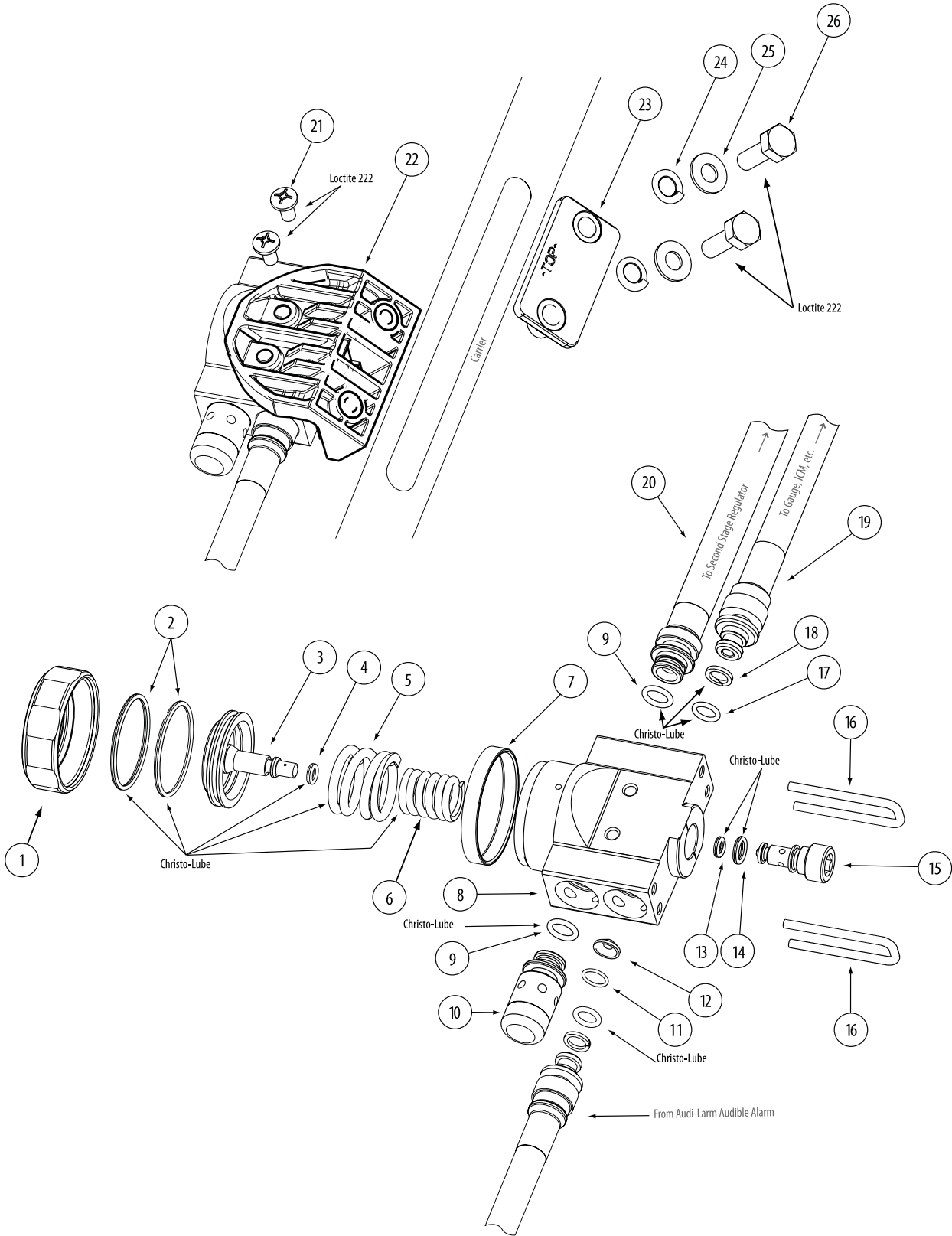
PR14 First Stage Regulator Replacement Kit		
10053736	PR14 First Stage Regulator	
PR14 First Stage Regulator Kit		
10065408	10050616	Seat
	633553	O-ring (bottom)
	10058236	O-ring (top)
	10050617	Piston
	10052365	O-ring (2 required)
	10052364	O-ring
	10051663	Inlet Filter
	10052367	Inlet Filter O-ring
	10053273	O-ring (2 required)
	63198	O-ring (2 required)
	635278	Back-up Ring (2 required)
	10052622	Screw (2 in kit)
10055349	10047898	Slider
	10055563	Screw (2 required)
	10014878	Flat Washer (2 required)
	631356	Lock Washer (2 required)

Item	P/N	Description
1	10050623	Regulator Cap
2	10052365	O-ring (2 required)
3	10050617	Piston
4	10052364	O-ring
5	10050620	Outer Spring
6	10050621	Inner Spring
7	10052621	Seal Ring
8	10050615	Regulator Body
9	10053273	O-ring
10	10053426	Pressure Relief Valve
11	10052367	Inlet Filter O-ring
12	10051663	Inlet Filter
13	10058236	O-ring (top)
14	633553	O-ring (bottom)
15	10050616	Seat
16	10050622	U-clip (2 required)
17	63198	O-ring
18	635278	Back-up Ring (2 required)
19	10053331	High Pressure Hose*
20	10051882	Intermediate Pressure Hose, Threaded*
	10051883	Intermediate Pressure Hose, Quick-Connect*
	10051884	Intermediate Pressure Hose, ExtendAire System*
20a	10082526	FireHawk M7 Responder Intermediate Pressure Hose Assembly
21	10052622	Screw (2 required)
22	10051664	Mounting Bracket
23	10047898	Slider
24	631356	Lock Washer (2 required)
25	10014878	Washer (2 required)
26	10055563	Bolt (2 required)
	10069386	PR14 Test Bracket (not shown)
	29787	Loctite 222
	604070	Christo-Lube
	600920	Snoop Leak Detector

\*Includes Back-up Ring and O-rings as needed.



# PR14 FIRST STAGE REGULATOR EXPLODED VIEW



# ULTRA ELITE FACEPIECE PARTS LIST

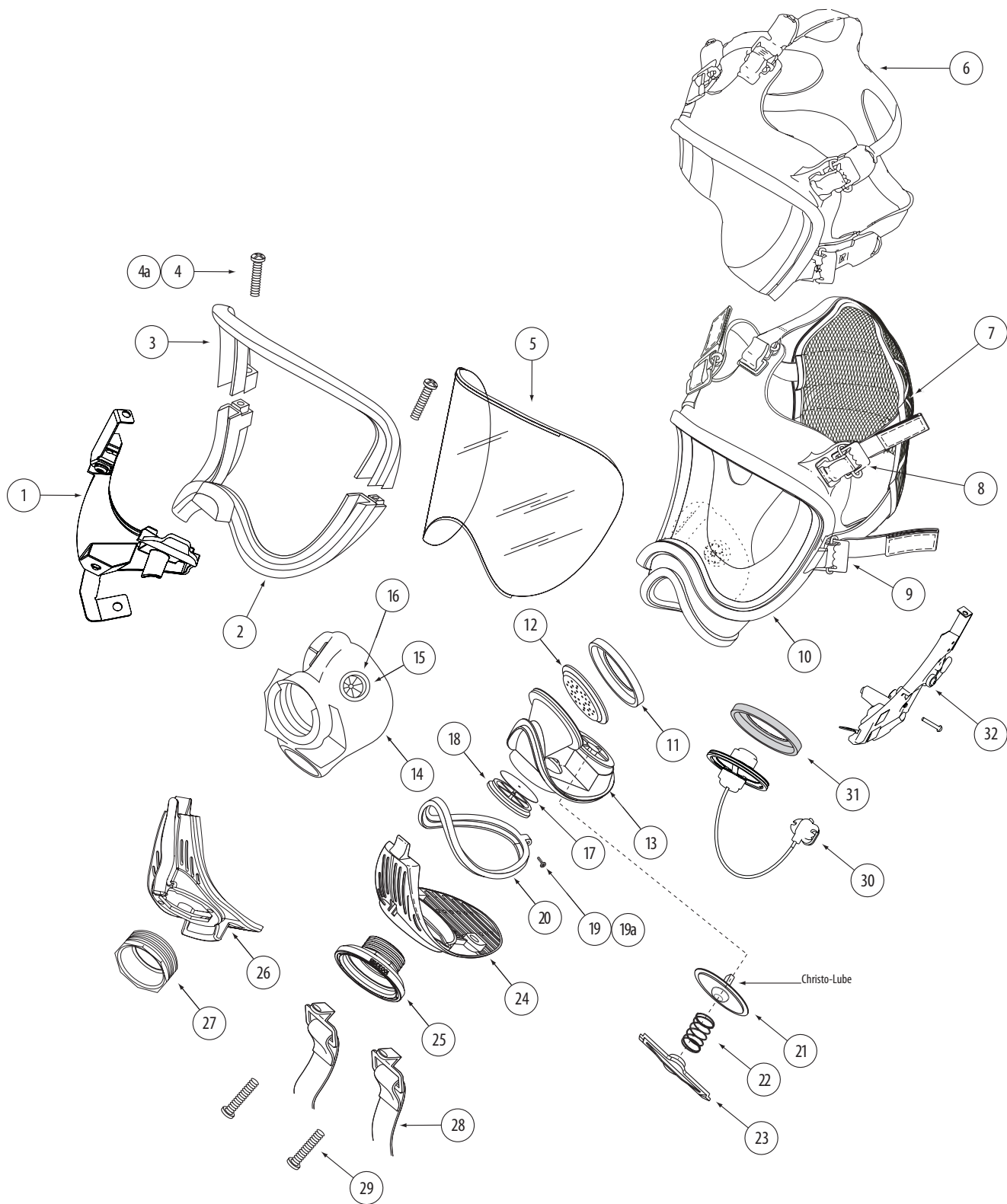
## Ultra Elite Facepiece Replacement Parts

## Parts List

Ultra Elite Facepiece (Complete)		
P/N	Description	
Push to Connect	10084690	Small
	10084822	Small, ClearCommand Communication System-ready
	10084824	Medium
	10084826	Medium, ClearCommand Communication System-ready
	10084828	Large
	10084830	Large, ClearCommand Communication System-ready
Slide to Connect	10084689	Small
	10084821	Small, ClearCommand Communication System-ready
	10084823	Medium
	10084825	Medium, ClearCommand Communication System-ready
	10084827	Large
	10084829	Large, ClearCommand Communication System-ready
Component Housing Assembly (Complete)		
815604	804808	Speaking Diaphragm Retainer
	804809	Speaking Diaphragm
	815605	Component Housing w/ Exhalation valve
	804813	Inlet Valve Disc
	805011	Valve Spider
Exhalation Valve Retaining Bar Kit		
818107	490133	Spring
	490128	Spring Retainer
Nosecup Assembly (with valves)		
495188	Small/Medium	
495189	Large	

Item	P/N	Description
1	10037386	NightFighter Bracket
2	804805	Lower Lens Ring
3	804804	Upper Lens Ring
4	636955	Screw (2 required)
4a	804806	Screw Kit (2 x 636955)
5	805020	Lens Super Hardcoat
	805019	Lens Hardcoat
6	817262	Hycar Head Harness
7	10031102	Cloth Head Harness Assembly
8	494297	Buckles (3 required)
9	804807	Buckle Assembly with D-Ring (2 required)
10	10048814	Hycar Facepiece Blank (Small)
	10048813	Hycar Facepiece Blank (Medium)
	10048815	Hycar Facepiece Blank (Large)
11	804808	Speaking Diaphragm Retainer
12	804809	Speaking Diaphragm
13	804810	Component Housing with Exhalation Valve
14	491121	Nosecup Assembly w/ valves, Small/Medium
	491123	Nosecup Assembly w/ valves, Medium
15	804823	Valve Disc (2 required)
16	804822	Valve Seat (2 required)
17	804813	Inlet Valve Disc
18	805011	Valve Spider
19	636956	Screw
19a	804812	Screw Kit
20	804811	Component Housing Ring
21	490133	Exhalation Valve
22	814459	Spring
23	490128	Spring Retainer
24	804814	Component Housing Cover (Push-to-Connect)
25	10033115	Push-To-Connect Adapter
26	10034500	Component Housing Cover (Slide-to-Connect)
27	10018621	Slide-To-Connect Adapter
28	804829	Neck strap
29	637070	Screw (2 required)
30	10024076	ClearCommand Communication System Microphone
31	10023505	Speaking Diaphragm Retainer (CC)
32	10057484	ClearCommand Communication System Mounting Bracket
	600920	Snoop Leak Detector
	604070	Christo Lube Lubricant

# ULTRA ELITE FACEPIECE EXPLODED VIEW

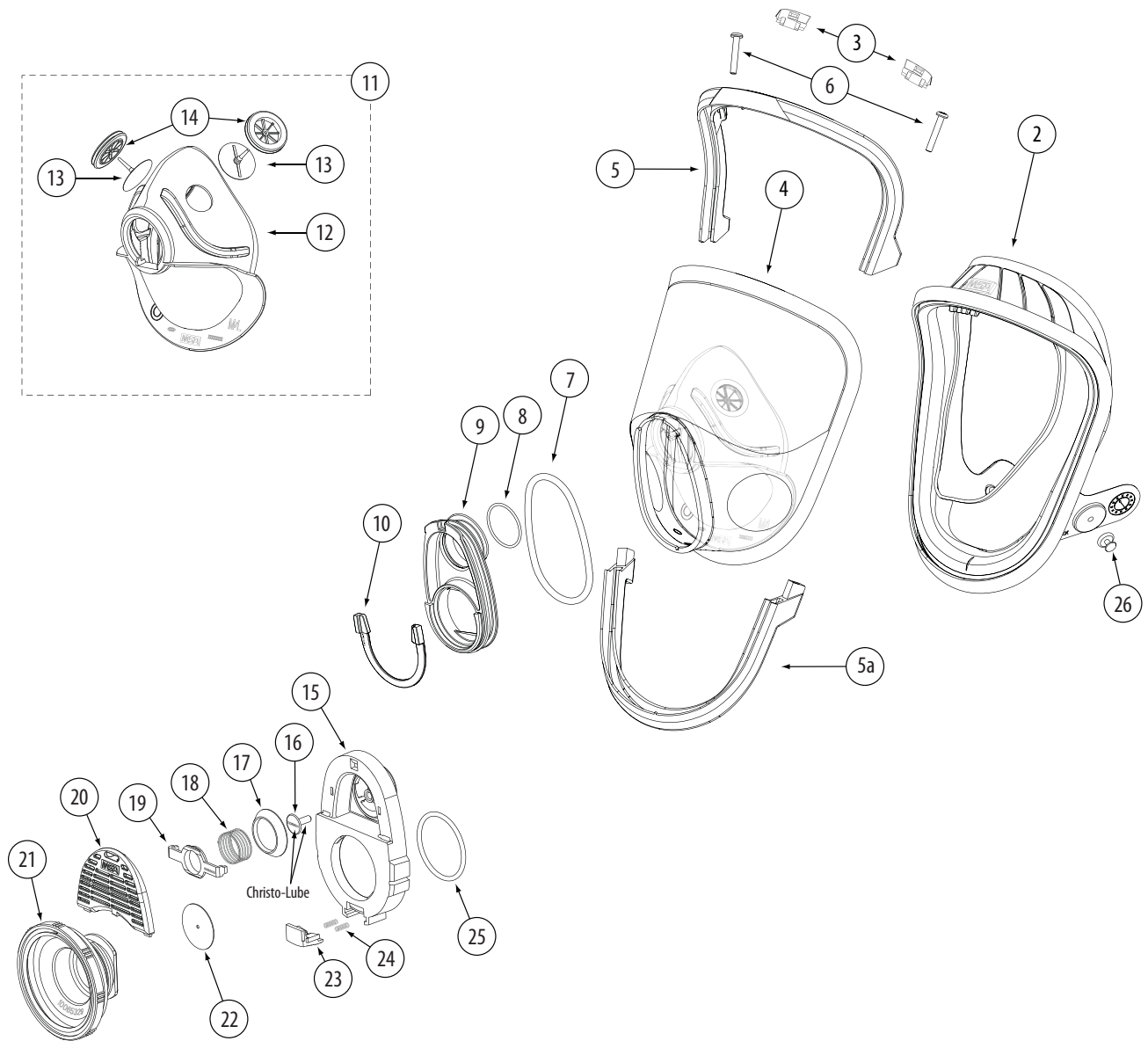


## ADVANTAGE 4000 FACEPIECE PARTS LIST

Item	P/N	Description
1	10083797	Hycar Facepiece Assembly, Small
	10083793	Hycar Facepiece Assembly, Medium
	10083801	Hycar Facepiece Assembly, Large
	10083796	Silicone Facepiece Assembly, Small
	10083792	Silicone Facepiece Assembly, Medium
	10083800	Silicone Facepiece Assembly, Large
2	10073455	Hycar Faceblank, Small
	10073459	Hycar Faceblank, Medium
	10073457	Hycar Faceblank, Large
	10083926	Silicone Faceblank, Small
	10083925	Silicone Faceblank, Medium
	10083927	Silicone Faceblank, Large
3	10028302	Right Adapter Clip (Net Head Harness ONLY)
	10027774	Left Adapter Clip (Net Head Harness ONLY)
4	10074738	Single Port Lens, 4100-H
	10084808	Single Port Lens, 4100-S
5	10073460	Upper Lens Ring
5a	10073461	Lower Lens Ring
6	10026562	Screw (2 required)
7	10025297	Housing O-ring
8	10084819	O-ring
9	10061973	Exhalation Valve Housing
10	10061996	U-clip
11	10065804	Nosecup Assembly, Small
	10065803	Nosecup Assembly, Medium/Large
12	10065306	Nosecup, Small
	10065305	Nosecup, Medium/Large
13	304787	Inlet Check Valve Disc (2 required)
14	491124	Inlet Check Valve Seat (2 required)
15	10065329	Component Housing
16	10061994	Stem
17	10061995	Exhalation Valve
18	10081456	Exhalation Spring
19	10061998	Spring Retainer
20	10061974	Exhalation Valve Cover
21	10061978	Push-To-Connect Adapter
22	10065085	Inhalation Valve
23	10061976	Locking Button
24	10065083	Spring (2 required)
25	10065031	O-ring
26	10025288	Head Harness Button (2 required)

Item	P/N	Description
	10029294	Lens Cover (not shown)
	10075903	Cloth Head Harness (not shown)
	10075901	Silicone Head Harness (not shown)
	604070	Christo-Lube Lubricant
	465008	Drawstring Bag (not shown)

# ADVANTAGE 4000 FACEPIECE EXPLODED VIEW

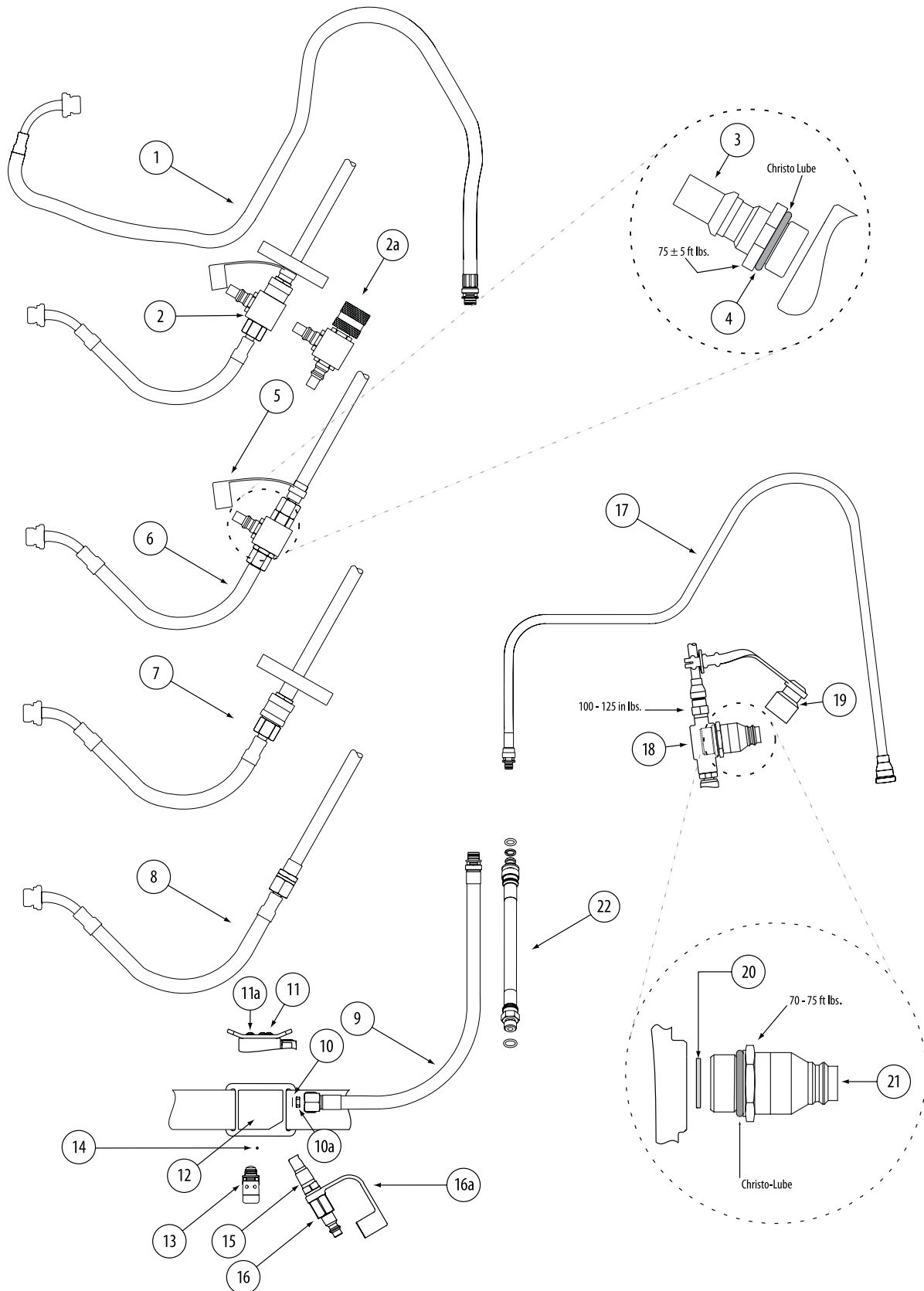


## HOSE ASSEMBLIES PARTS LIST

Item	P/N	Description
1	10089107	Intermediate Pressure Hose, Single*
2	10032438	Single Quick-Connect ExtendAire Manifold Assembly
2a	10032439	Double Quick-Connect ExtendAire Manifold Assembly
3	637945	Metal Nipple (for ExendAire System)
4	634669	O-ring
5	813035	ExtendAire Dust Cover
6	10051884	Intermediate Pressure Hose, ExtendAire System*
7	10051883	Quick-Connect System, Intermediate Pressure Hose*
8	10051882	Threaded Intermediate Pressure Hose*
9	10087239	PR14 Hose Assembly
10	10048620	Screen
10a	10048631	Screen Retainer
11	10044300	Plate
11a	10044301	Screw (3 required)
12	10086439	Work-Line Assembly w/ Snap-Tite Aluminum Plug
	10086440	Work-Line Assembly w/ Hansen SST Plug
	10086441	Work-Line Assembly w/ Hansen Brass Plug
	10086442	Work-Line Assembly w/ Foster Steel Plug
	10086443	Work-Line Assembly w/ Snap-Tite Locking Aluminum Plug
	10086444	Work-Line Assembly w/ Foster SST Plug
13	10053426	Pressure Relief Valve*
14	10086879	Dowel Pin
15	630326	Check Valve
16	66274	Snap-Tite Aluminum Plug
	473502	Hansen SST Plug
	630313	Hansen Brass Plug
	55716	Foster Steel Plug
	479027	Snap-Tite Locking Aluminum Plug
	636460	Foster SST Plug
16a	813055	Dust Cover for P/N 66274
	634687	Dust Cover for P/N 473502
	486289	Dust Cover for P/Ns 55716, 479027, and 636460
17	10053331	High Pressure Gauge Hose*
18	10003609	Quick-Fill Adapter (for use with Standard Gauge)
	10020475	Quick-Fill Adapter (for use with ICM Tx and ICM TxR)
19	801164	Dust Cover
20	485574	Filter
21	485070	Quick-Fill Adapter*
22	804382	High Pressure Hose* (Audi-Larm to PR14 First Stage Regulator)
23	63198	O-ring

\* Includes Back-up and O-rings as needed.

# HOSE ASSEMBLIES EXPLODED VIEW



# CLEARCOMMAND COMMUNICATION SYSTEM

Item	P/N	Description
1	10023056	ClearCommand Amp
2	10021289	ClearCommand Amp RI
	632040	AAA Battery (2 required)

