

MMR High Pressure

PARTS LIST

Certified Maintenance

For More Information, call 1-800-MSA-2222 or Visit Our Website at www.MSAnet.com



MINE SAFETY APPLIANCES COMPANY
CRANBERRY TWP., PENNSYLVANIA, U.S.A. 16066

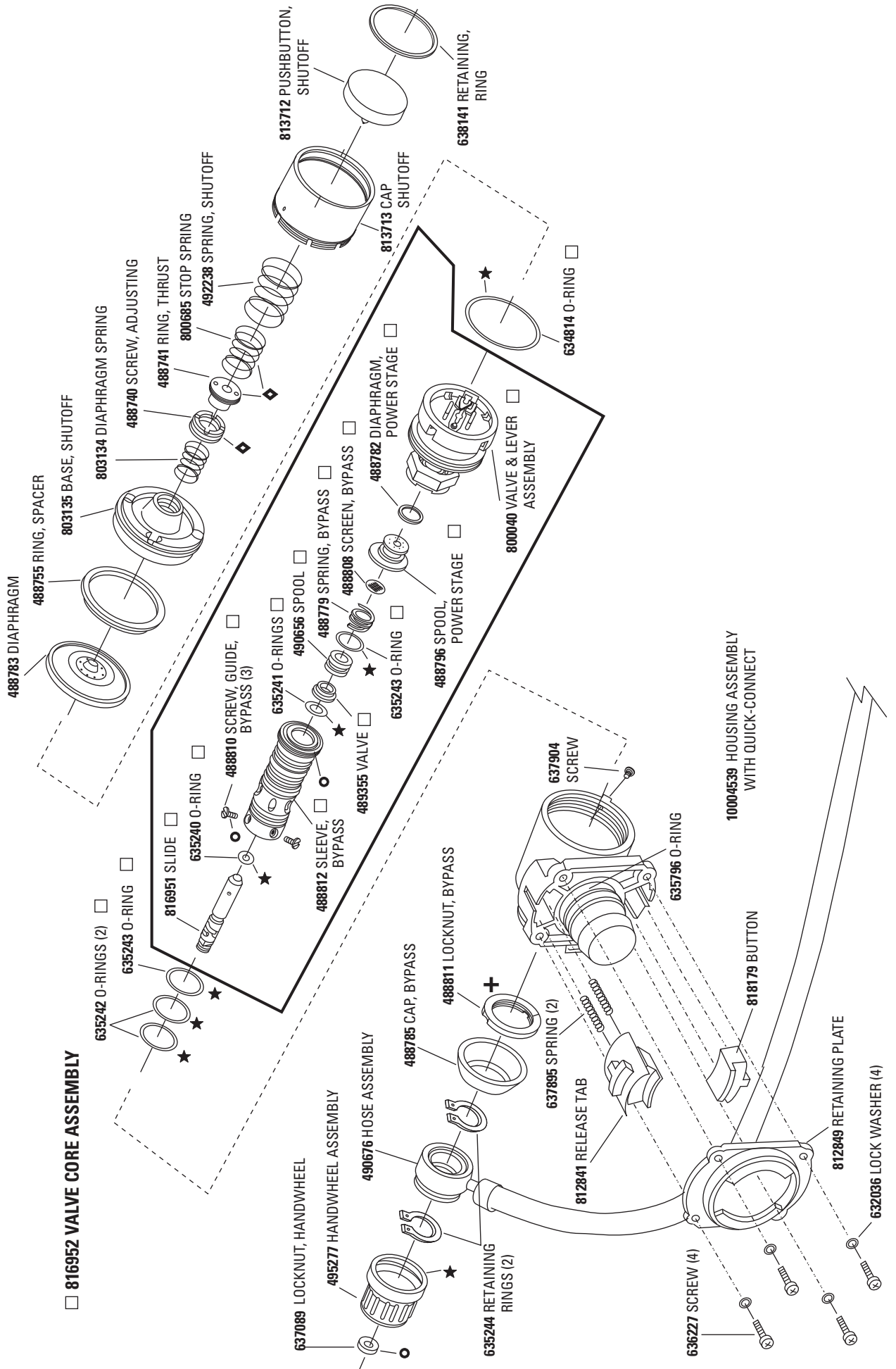
KEY

**COMPONENTS OUTLINED MAY ONLY
BE PURCHASED BY MSA TRAINED
AND CERTIFIED REPAIR PERSONS.**

- ★ 604070 LUBRICANT
- 29787 SEALANT (LOCTITE 222)
- ❖ 602976 ADHESIVE
- ◇ 603556 ADHESIVE
- ⊕ 602706 ADHESIVE
- ⌘ 494992 LUBRICANT (LIQUID SILICONE)

Mask Mounted Regulator Assembly

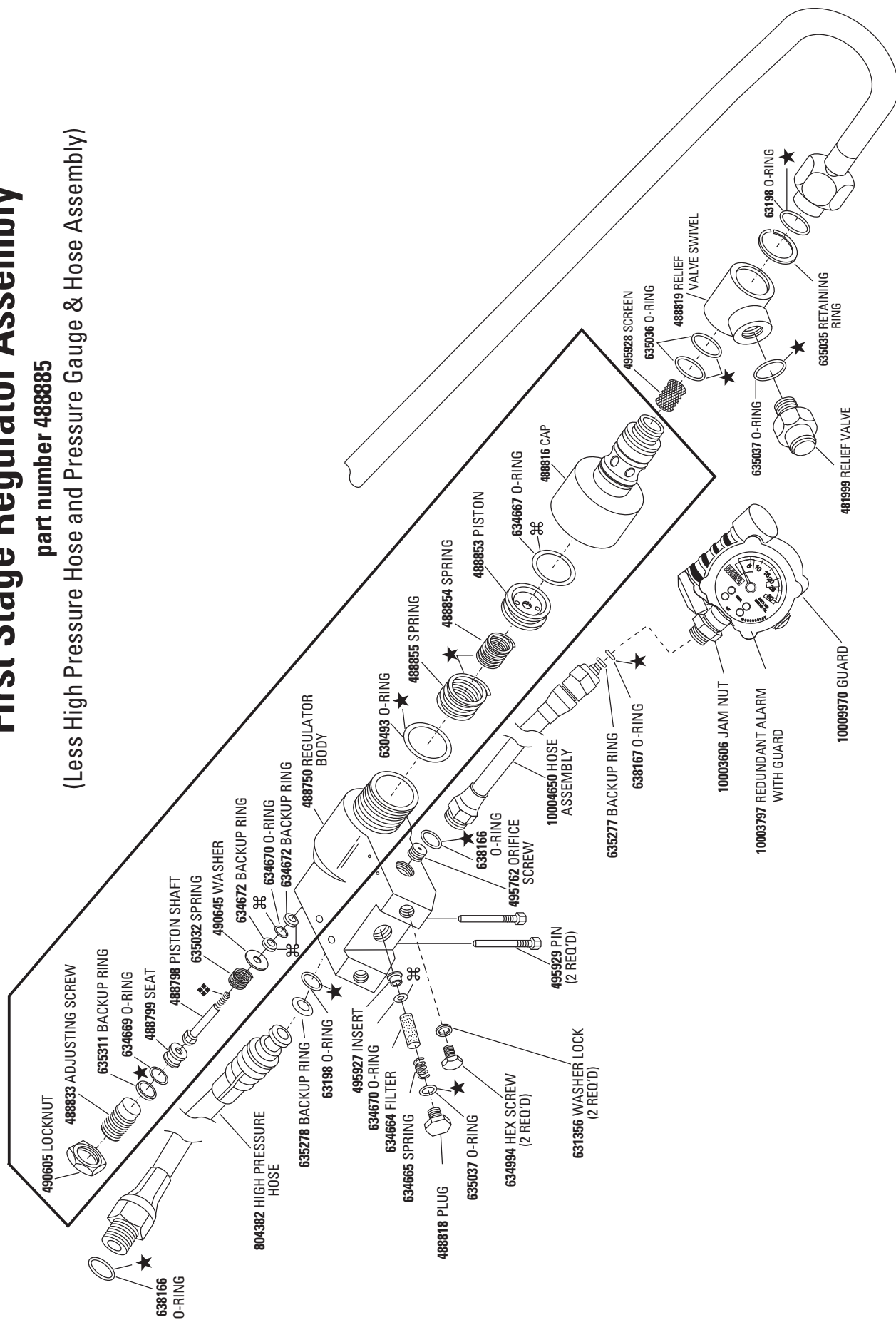
part number 812857 (Quick-Connect, 1/4 turn)



First Stage Regulator Assembly

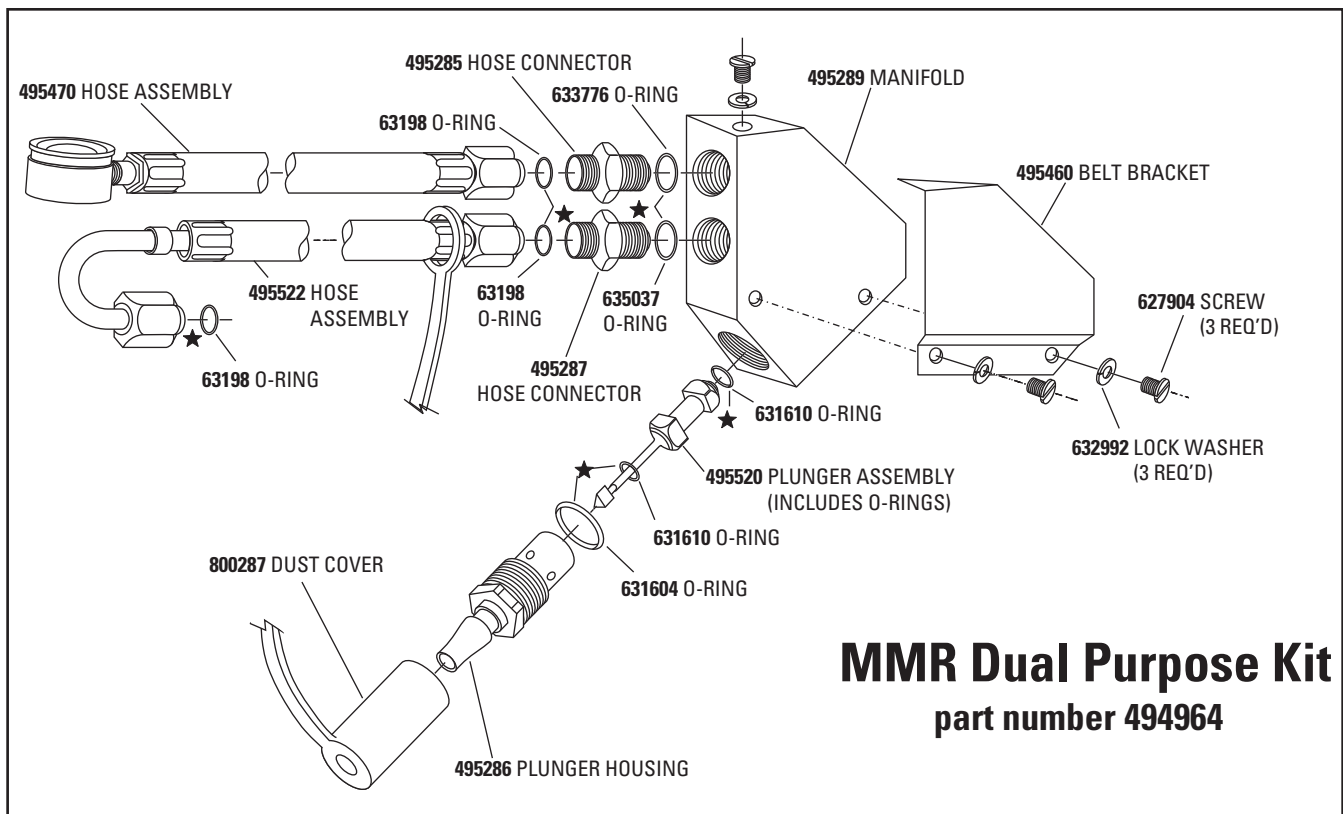
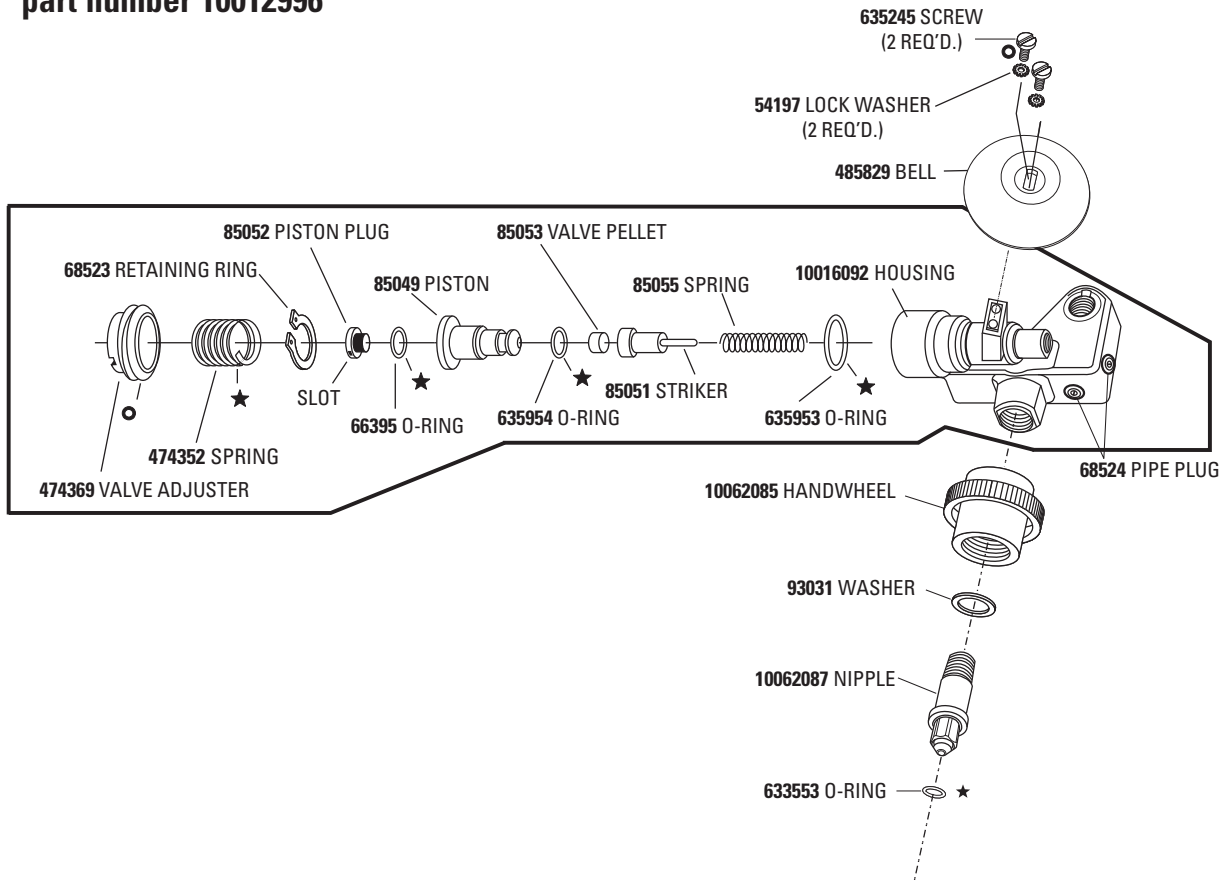
part number 488885

(Less High Pressure Hose and Pressure Gauge & Hose Assembly)



Audi-Larm™ Assembly

part number 10012996

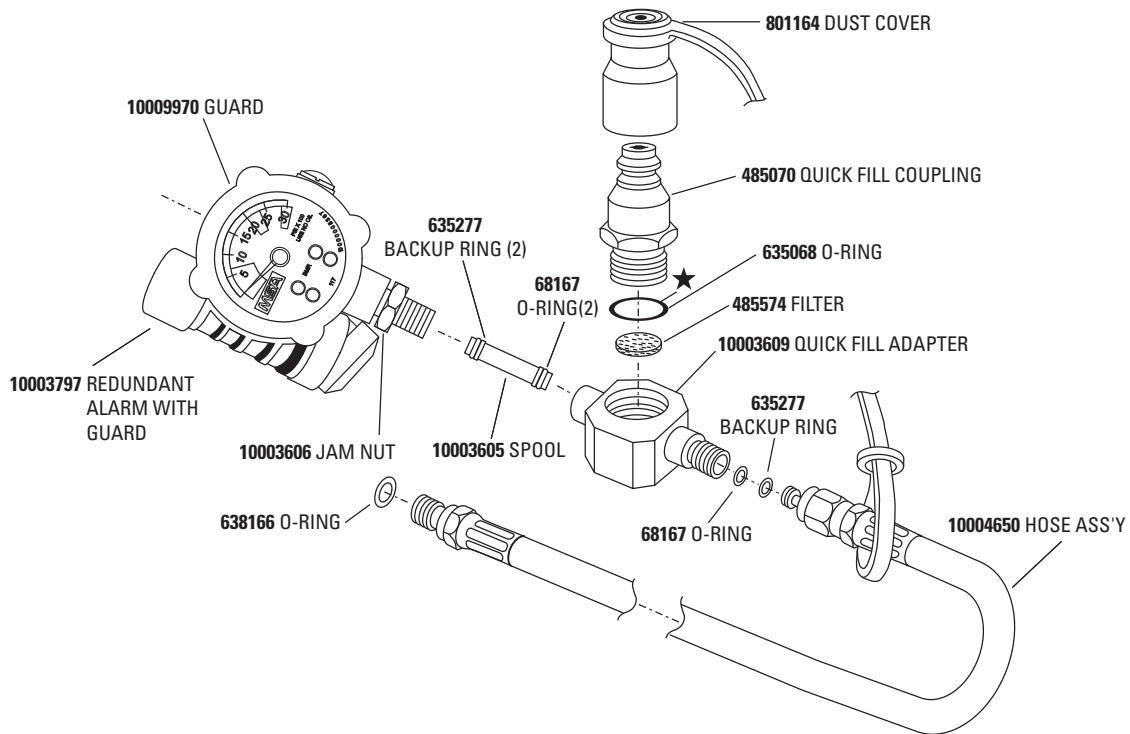


MMR Dual Purpose Kit

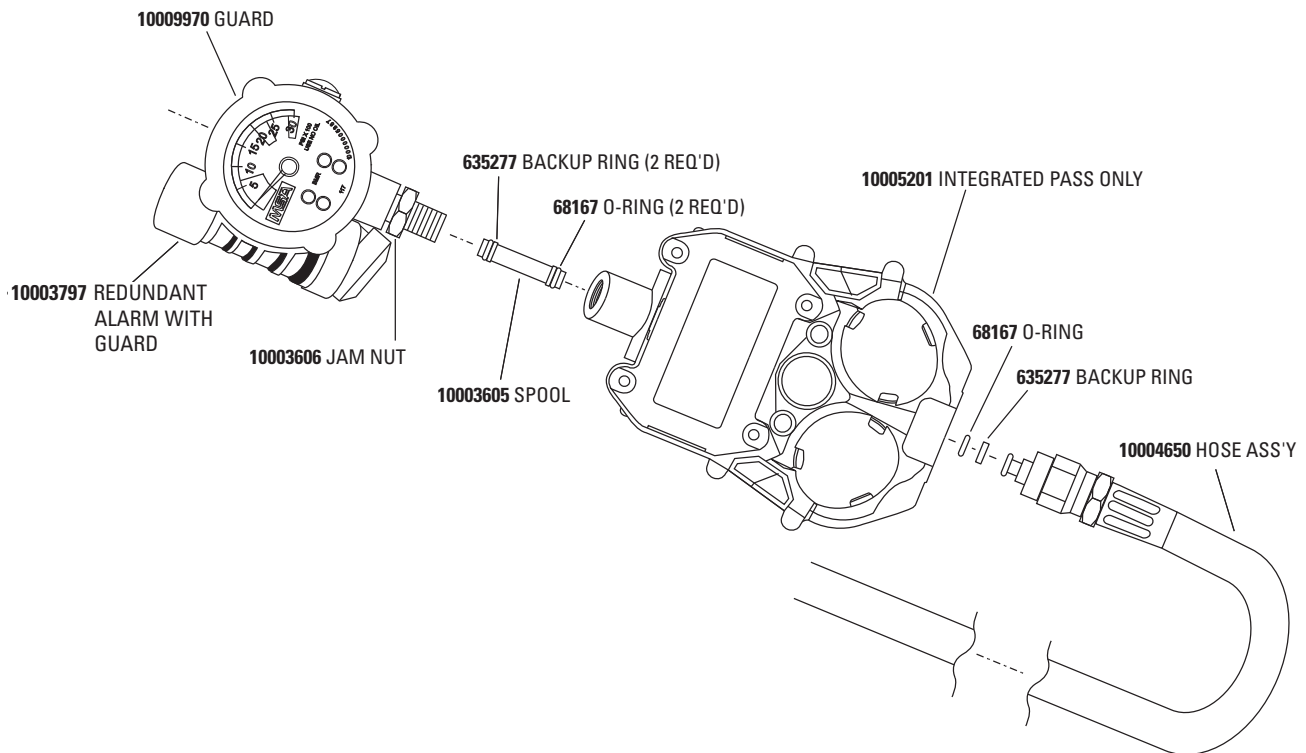
part number 494964

MMR Quick-Fill® Kit P/N 10005062

(Gauge Line)



MMR DragonFly™ IP





For More Information: Call (1-800-MSA-2222) or Visit Our Website at (www.MSAnet.com)



Be Sure.
Choose MSA.

MINE SAFETY APPLIANCES COMPANY
PITTSBURGH, PENNSYLVANIA, U.S.A. 15230