



Breathing Air Systems Technical Rescue Cart *Bid Specifications*

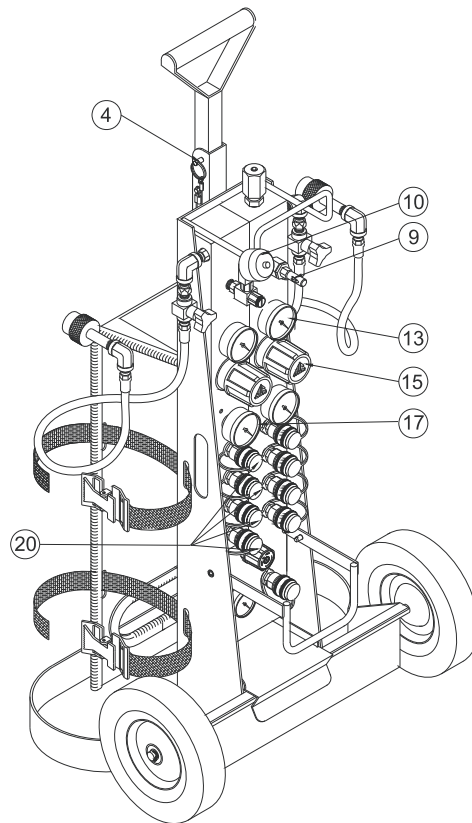
Product Characteristics	
Description	The technical rescue cylinder cart for the MSA Breathing Air Distribution System (BRADS) permits up to four NIOSH approved airline respirators to be connected to 2 one-hour 4500 psig breathing apparatus cylinders (NOT PROVIDED). The cart is equipped to receive a auxiliary remote high pressure source and has both a low pressure regulated one outlet manifold and a high pressure regulated four outlet manifold to operate emergency tools. The cart may be used in a portable or stationary position.
Component Parts	Two wheel carbon steel poly powder coated cart painted Green (Pantone 355C to Pantone 356C), two sets of double cylinder straps, airline hose rack, and adjustable pull handle.
Certifications	NIOSH 87-116 compliant
Product Characteristics	Panel face color is white with black letters on the left side. Each item is to be identified. Panel face color is green with white letters on the right side. Each item is to be identified.
Breathing Air	<ul style="list-style-type: none"> • A 5500 psig pressure regulator to reduce the 4500 and / or 2216 psig cylinder air to the proper airline respirator inlet pressure. • A cylinder pressure gauge and an outlet pressure gauge that operates in 0-125 psig range. • ASME CERTIFIED relief valve set at 125 psig with manual pull ring. • Two cylinder pigtailed with bleeder valves for disconnecting, CGA universal hand-tightening nuts (accepts CGA 346 and 347 THREADS), and check valve to prevent back flow. This prevents the air from moving between cylinders. • There are four outlet fittings. Units can be ordered with MSA union adapters, P/N 69542, (male 3/4" -16 UNF going into a 1/4" NPT female manifold thread), to connect directly to MSA NIOSH-approved breathing hose or quick-disconnects and hose. The union adapters can be removed and replaced with any suitable fitting with a 1/4" NPT male thread. However the union adapter is necessary to make connection to MSA breathing hose.
Sockets	Units can be ordered with aluminum Snap-Tite quick-disconnect sockets, steel Foster quick-disconnect sockets, and brass Hansen quick-disconnect sockets. (See parts list).

Tooling Air System	
Tools High Pressure	<ul style="list-style-type: none"> • CGA-347 Male connecting fitting to attach to an auxiliary remote high pressure air source. • A 6000 psig pressure regulator to reduce the high pressure air source to the proper pressure to operate tools (0 to 275 psig). The minimum flow rate is 18.1 CFM at 500 psig inlet and 80 psig outlet. The maximum flow rate is 162 CFM at 6000 psig inlet and 100 psig outlet. • A cylinder pressure gauge. • An outlet pressure gauge that operates in 0 to 300 psig range. • ASME CERTIFIED 275 psig relief valve. • 4-outlet manifold with 1/4" NPT female threads. • One outlet connection with 1/4" NPT female thread with Hansen industrial quick-disconnect socket. • A low pressure pneumatic whistle alarm set at 500 psig. • Components are panel mounted.
Tools Low Pressure	<ul style="list-style-type: none"> • A low pressure regulator, located at the bottom of the panel, has a maximum outlet pressure of 125 psig. This regulator receives air from the above tooling regulator set at maximum 300 psig. The minimum flow rate is 5 CFM @ 100 psig inlet pressure and 80 psig outlet. The maximum flow rate is 18 CFM at 275 psig inlet pressure and 80 psig outlet. • Low pressure outlet gauge. • One outlet connection with 1/4" NPT female thread.

Physical Characteristics	
Size	35 x 21 x 15 (inches)
Weight	54.5 pounds without cylinders
Packaging	Carton must be double wall C flute corrugated, with an ECT value of 51 or greater mark part number on package.
Serial Number Label	Located on frame below handle.
Operation Label	Located on upper-front of main frame.
Instruction Manual	Packaged inside the Unit. Manual instructions in English, French and Spanish.

Breathing Air Systems Technical Rescue Cart Description (see diagram below)

- | | |
|---|--|
| 1. 8-inch wheel | 13. Tool air high inlet pressure gauge |
| 2. Nylon cylinder strap | 14. Breathing air pressure regulator |
| 3. Pull pin for hose bracket | 15. Breathing air pressure regulator |
| 4. Pull pin for handle | 16. Tool air high pressure regulator |
| 5. CGA-347 nut, hand tightening) * | 17. Breathing air regulated pressure gauge |
| 6. Bleeder valve * | 18. Tool air low pressure regulator |
| 7. CGA 347 male adapter | 19. Tool air regulated low pressure gauge |
| 8. CGA 347 pressure cap | 20. Breathing air outlets: |
| 9. Auxiliary air low pressure alarm whistle | Union adapter brass |
| 10. Breathing air low pressure alarm bell | Snap-tite socket |
| 11. Whip assembly | Foster steel socket |
| 12. Breathing air cylinder pressure gauge | Hansen brass socket |



* Included In Whip Assembly: Hose, Bleeder Valve, Check Valve, 90 Degree Elbow, CGA 347 Hand Connection Nut & Nipple.

