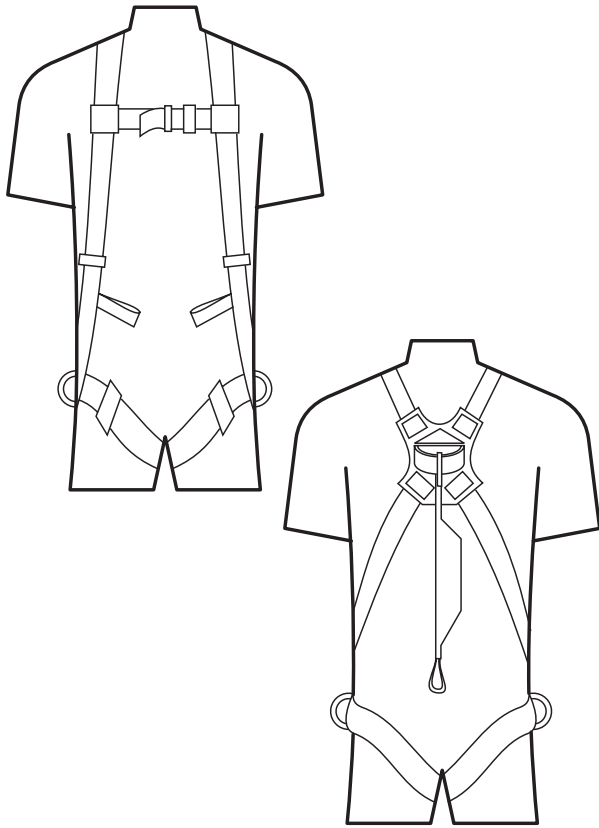


# ArcSafe™ Harness Product Specifications



## MATERIALS

<b>Web:</b>	1 3/4" (44 mm) nominal width Nylon
<b>Attachment Loops:</b>	Nylon
<b>Hardware:</b>	
<b>Buckles:</b>	Zinc-plated, stamped-alloy steel
<b>Grommets:</b>	Nickel-plated brass
<b>Thread:</b>	Nylon Box stitches: 3 cord thread Reinforcement stitches: 5 cord thread
<b>Shock Absorber (Optional):</b>	
<b>Cover:</b>	Kevlar/Nomex blend
<b>Thread:</b>	Kevlar Box stitches: 3 cord thread
<b>Plastic Parts:</b>	Santoprene
<b>Labels:</b>	Tyvek

## TECHNICAL

<b>Web Minimum Breaking Strength:</b>	9,500 pounds
<b>Dorsal Loop Minimum Breaking Strength:</b>	5,500 pounds
<b>Maximum Capacity:</b>	400 pounds

## CERTIFICATION

<b>ASTM:</b>	F887-05 compliant, arc flash resistant (up to 40 cal/cm <sup>2</sup> )
<b>OSHA:</b>	All applicable standards including 1910.66 and 1926.502
<b>ANSI:</b>	A10.32 and Z359.1
<b>CSA:</b>	Z259.10-M90 classes A, D, L and P

# ArcSafe™ Lanyard Product Specifications

## MATERIALS

<b>Lanyard:</b>	
<b>Web:</b>	1" (25 mm) nominal width Nylon 9,000 pound (40 kN) minimum breaking strength
<b>Thread:</b>	5 cord thread
<b>Hitch Loop:</b>	Nylon 9,000 pound (40 kN) minimum breaking strength
<b>Shock Absorber:</b>	
<b>Fabric Cover:</b>	Kevlar/Nomex blend
<b>Thread:</b>	Kevlar Box stitches: 3 cord thread
<b>Connecting Hardware:</b>	
<b>LS Snaphook:</b>	Zinc-plated, forged-alloy steel 100% proof-tested to 3,600 pounds (16 kN) 5,000 pound (22.2 kN) minimum breaking strength 3/4" (19 mm) gate opening
<b>Adjusting hardware:</b>	Zinc-plated, forged-alloy steel 5,000 pound (22.2 kN) minimum breaking strength

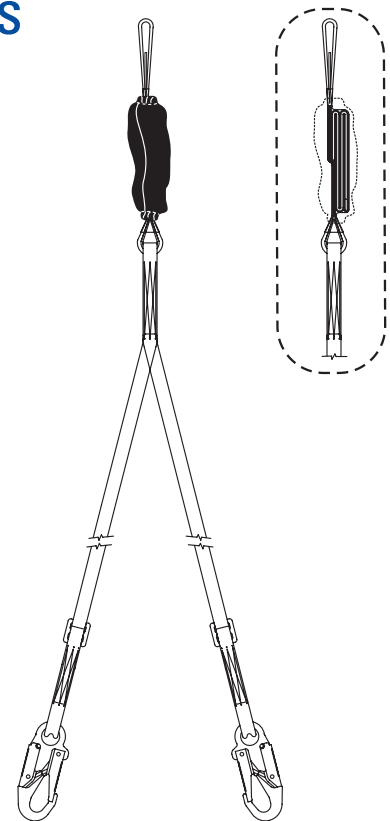
## TECHNICAL

<b>Maximum Capacity:</b>	310 pounds (141 kg) for ANSI Z359.1; 115 kg for CSA Z259.11-05 E4
<b>Minimum Capacity:</b>	130 pounds (59 kg) for ANSI Z359.1; 45 kg for CSA Z259.11-05 E4
<b>Standard Lanyard Length:</b>	6' adjustable
<b>Maximum Arresting Force:</b>	900 pounds (4 kN)

## CERTIFICATION

This product meets or exceeds the following standards:

<b>ASTM:</b>	F887-05 Compliant, Arc flash resistant (up to 40 cal/cm <sup>2</sup> )
<b>OSHA:</b>	1910.66 and 1926.502
<b>ANSI:</b>	A10.32 and Z359.1
<b>CSA:</b>	Z259.11-05 E4



The Safety Company

ID 2301-73-MC / May 2006

© MSA 2006 Printed in U.S.A.