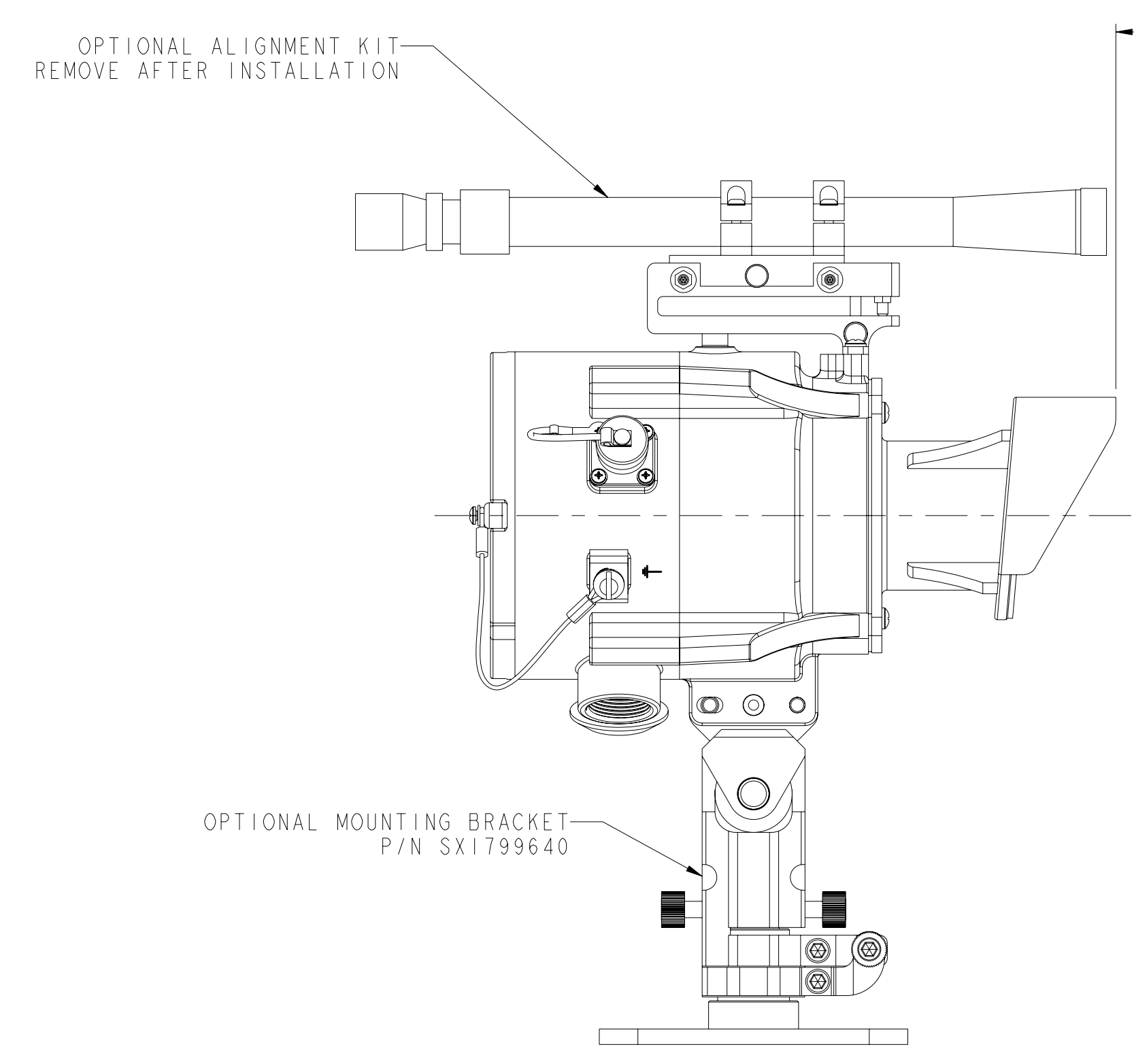
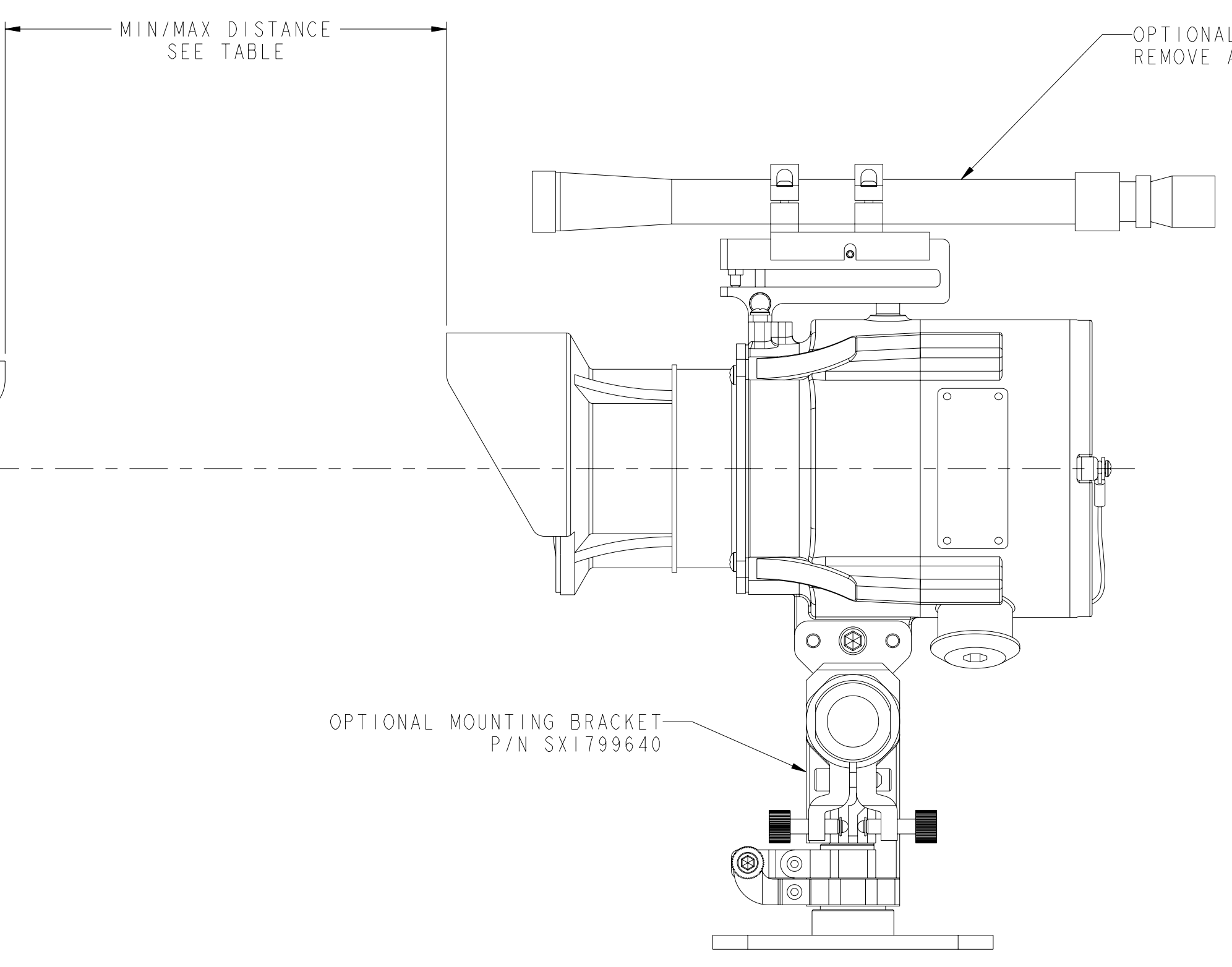


REVISIONS

①	6-22-2007	INITIAL RELEASE
		A. REMOVED OPTION 3 FROM OUTPUT OPTIONS
		B. REMOVED WIRING FIGURE FOR OPTION 3 ON SHT 2
		WJE RER
②	6-27-2007	INITIAL RELEASE
		A. ADDED MOUNTING BRACKET NOTE
		B. REVISED NOTES
		WJE RER
<b>JUN 29 2007</b>		



**SAFEYE XENON 800 DETECTOR**



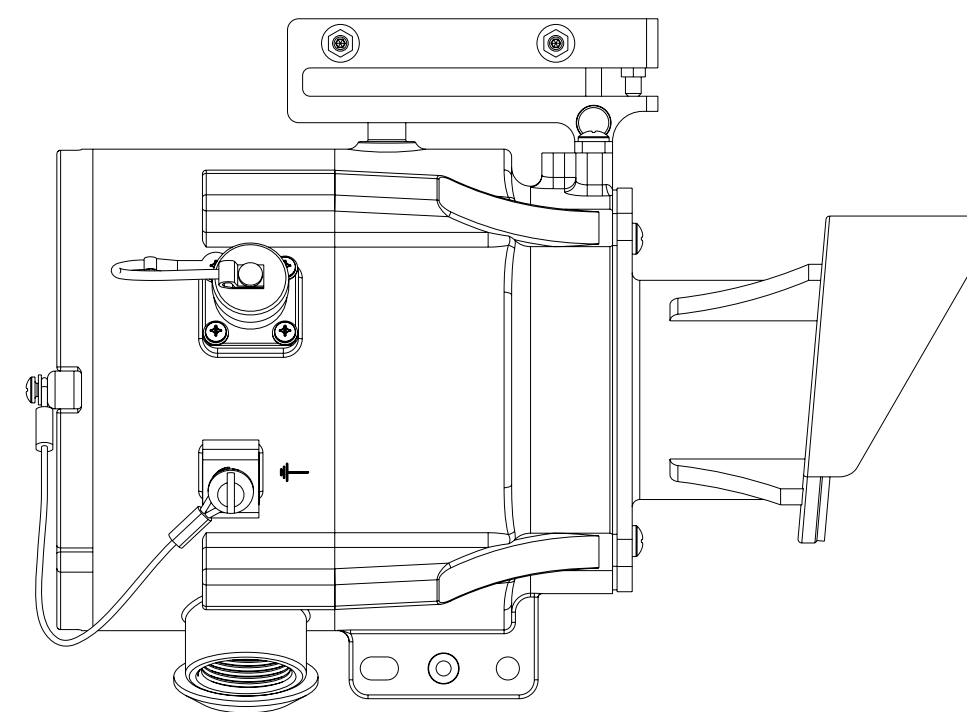
**SAFEYE XENON 800 SOURCE**

**DISTANCE TABLE**

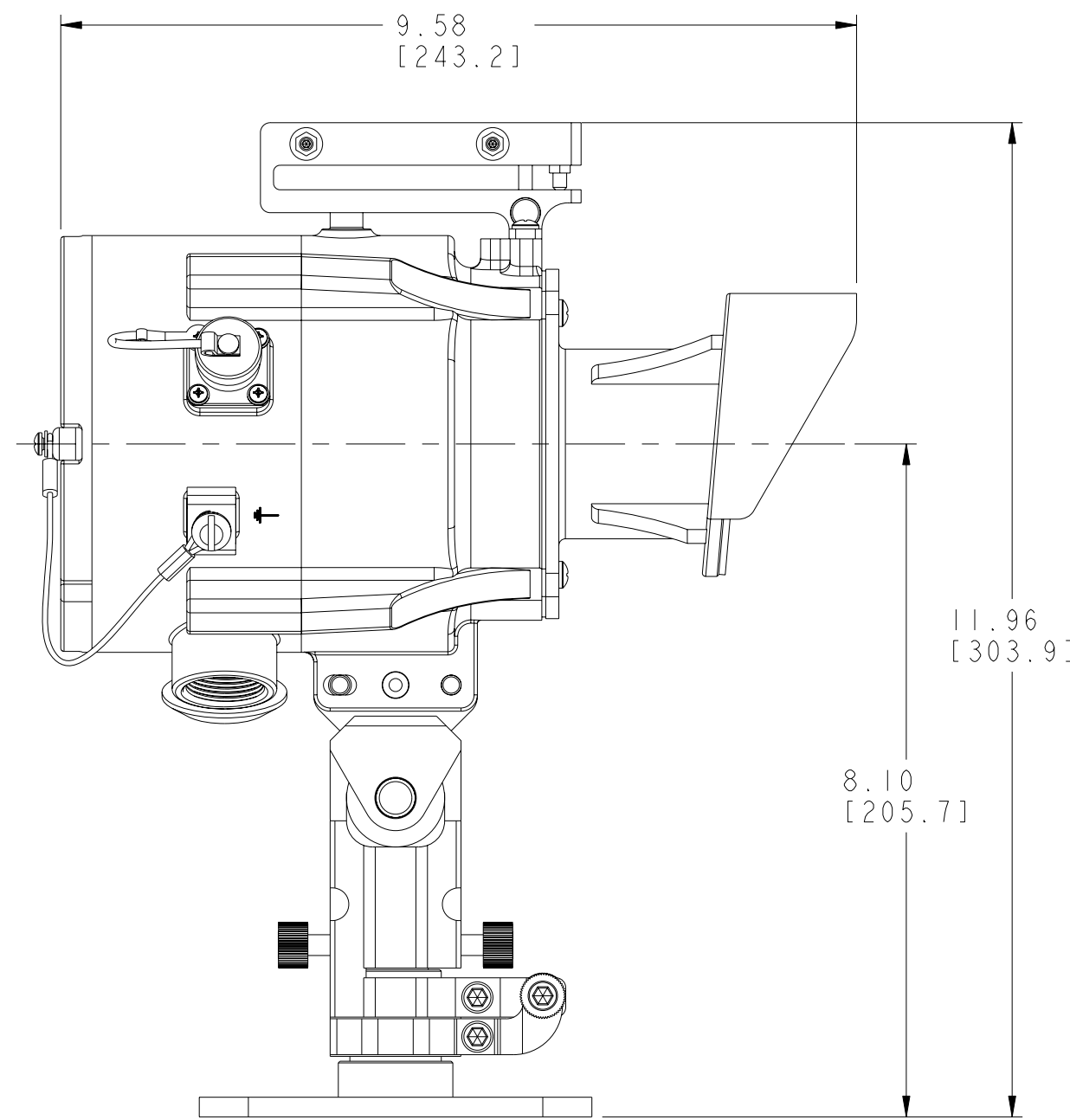
MATRIX CODE 2	DISTANCE	
	MIN	MAX
S	13 FT (4 M)	65 FT (20 M)
M	50 FT (15 M)	230 FT (70 M)
L	165 FT (50 m)	395 FT (120 M)

- NOTES:
1. INSTRUMENT WEIGHTS ARE THE SAME FOR NPT OR METRIC THREADED HOUSINGS.
  2. INSTRUMENT AND SENSOR HOUSINGS ARE MADE OF 316 STAINLESS STEEL.
  3. DIMENSIONS SHOWN IN INCHES (MILLIMETERS).
  4. CHECK LABEL FOR AREA CLASSIFICATIONS.
  5. CHECK DETECTOR LABEL FOR ATO ORDERING NUMBER.
  6. MOUNT UNIT WITH CONDUIT ENTRIES FACING DOWN.
  7. ALL M25 X 1.5 THREADED ENTRIES HAVE SECURING M4 X .7 SET SCREWS, NPT THREADED ENTRIES DO NOT.
  8. APPLY TEFLON TAPE TO ALL CONDUIT ENTRIES FOR WATER TIGHT APPLICATIONS.
  9. THE CERTIFIED METAL STOPPING PLUG (SUPPLIED) SHALL BE INSTALLED AT THE UNUSED THREADED ENTRY DURING INSTALLATION.

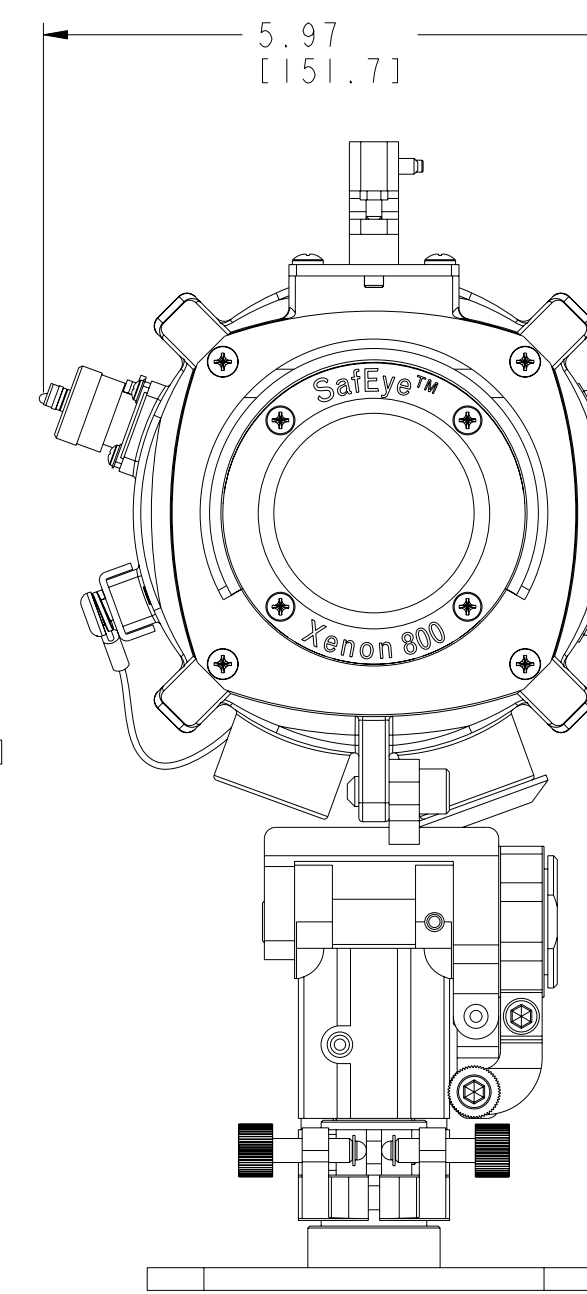
AUTHORIZED COUNTRY	<b>MSA</b>	MINE SAFETY APPLIANCES CO. PITTSBURGH, PA 15230, USA	THIS DRAWING IS THE PROPERTY OF MSA AND IS MADE AVAILABLE TO YOU IN CONFIDENCE AND SUBJECT TO THE FOLLOWING: NO PERMISSION IS GRANTED TO PUBLISH, USE, REPRODUCE, TRANSMIT OR DISCLOSE THIS DRAWING, OR ANY INFORMATION CONTAINED THEREIN TO OTHERS WITHOUT THE PRIOR WRITTEN CONSENT OF MSA EXCEPT FOR THE MANUFACTURE OF ARTICLES FOR MSA. SCHUTZVERMERK NACH DIN 34 BEACHTEN. MSA AUER GmbH.	DO NOT SCALE DWG.
	MSA STANDARD SHOP PRACTICES APPLY	JOB NO. 30006640 PH0722	APPROVAL AGENCY CODE: YES   NIOSH ATTR. DOC.: .	
	CODE SYMBOLS	DRAWN BY DATE WJE 3-30-2007	<b>INSTALLATION OUTLINE, SAFEYE XENON 800</b>	
	CRITICAL $\Delta$	CHECKED BY R. REITER 6-27-07		
	MAJOR A $\Delta$ (NO MARK)	PROJ. ENGR. R. REITER 6-27-07		
	MAJOR B $\Delta$	QUALITY ASSURANCE J. DANNHARDT 6-27-07		
	100% INSPECTION $\Delta$	MANUFACTURING J. BRYER 6-27-07	CADD REF: SK3015-1019	SCALE: 0.500
	TOLERANCES UNLESS OTHERWISE SPECIFIED			SHEET 1 OF 3
	FRACTIONAL $\pm 1/64$			
	2 PL DEC. $\pm 0.01$			
	3 PL DEC. $\pm 0.005$			
	ANGULAR $\pm 1$ deg.			
	SEE MSA STANDARD SHOP PRACTICES FOR DRILLED HOLE TOLERANCES			
		<b>D .</b>	<b>SK3015-1019</b>	



**SAFEYE XENON 800 DETECTOR**  
WEIGHT = 12.80 LBS (5.81 KG)



**SAFEYE XENON 800 DETECTOR WITH OPTIONAL TILT MOUNT BASE**  
WEIGHT = 17.0 LBS (7.7 KG)



**CABLE LENGTH AND WIRE SIZE, POWER INPUT**

1. SELECT "NUMBER OF SOURCE/DETECTORS" CONNECTED IN ONE CIRCUIT.
2. SELECT "WIRE LENGTH" PER INSTALLATION REQUIREMENTS.
3. REFER TO "POWER SUPPLY RANGE" FOR VOLTAGE REQUIREMENT.

NUMBER OF DETECTORS	AWG #					POWER SUPPLY RANGE (VDC)
	18	16	14	12	10	
24	18	16	14	—	—	22-32
20	18	16	14	—	—	22-32
16	20	18	16	14	—	22-32
12	20	18	16	14	—	22-32
8	20	18	16	14	—	20-32
4	20	18	16	14	14	20-32
	164 (50)	328 (100)	492 (150)	656 (200)	820 (250)	

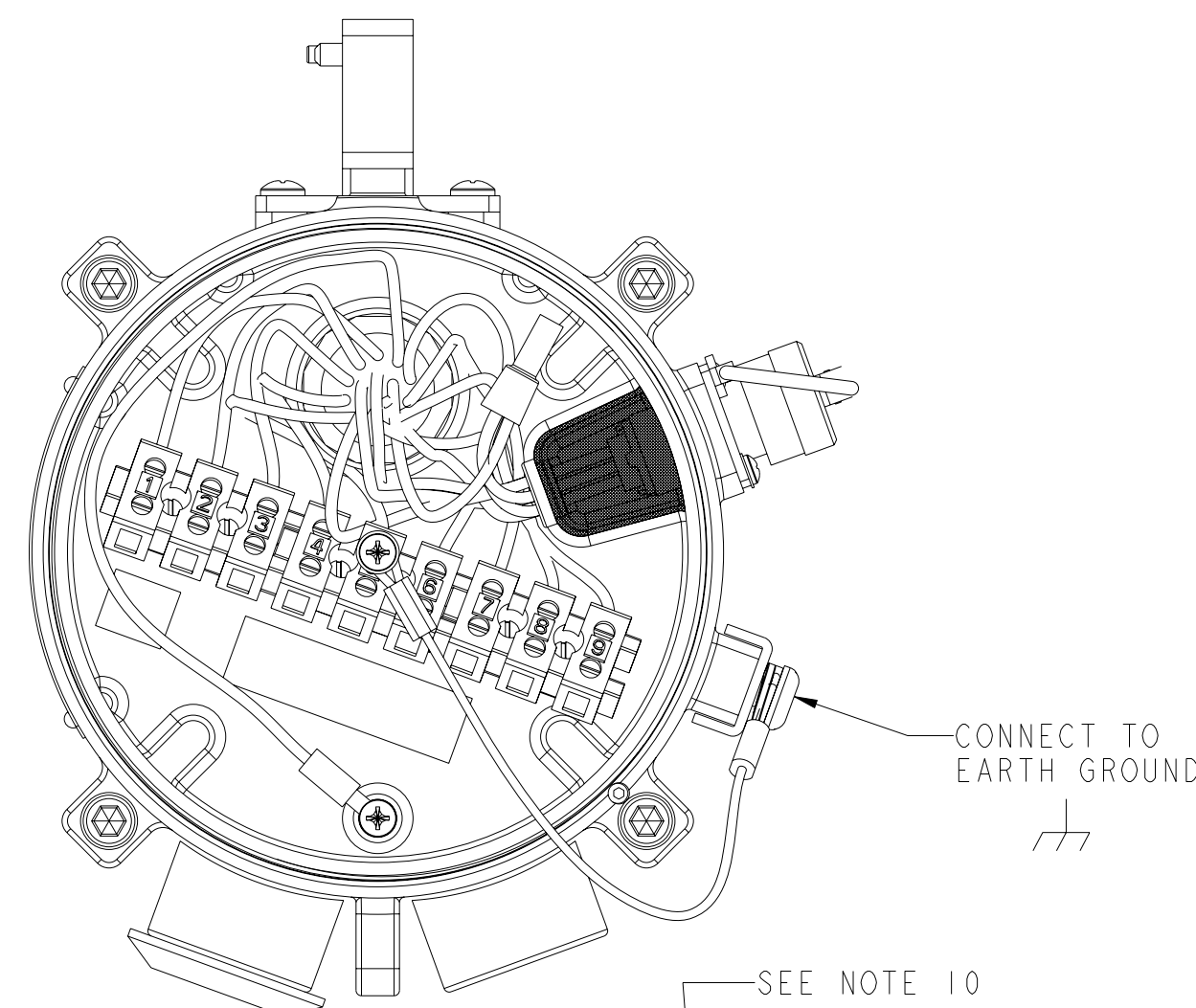
**WIRE LENGTH IN FT (METERS)**

**4-20 mA OUTPUT MAXIMUM LOAD RESISTANCE**

600 OHMS

**MAXIMUM CURRENT DRAW**

SOURCE	300 mA
DETECTOR	300 mA



- SEE NOTE 10
- 1 POWER (+) (18-32VDC)
  - 2 RETURN (-)
  - 3 ALARM RELAY (N.O.)
  - 4 ALARM RELAY (N.O.)
  - 5 RS 485 (+)
  - 6 RS 485 (-)
  - 7 4-20mA (OUTPUT)
  - 8 4-20mA (INPUT)
  - 9 RS 485 (RTN)
  - GROUND

MATRIX CODE (4)= 1,  
PASSIVE 4-20mA, ISOLATED

- SEE NOTE 10
- 1 POWER (+) (18-32VDC)
  - 2 RETURN (-)
  - 3 4-20mA RETURN
  - 4 ALARM RELAY (N.O.)
  - 5 ALARM RELAY (N.O.)
  - 6 RS 485 (+)
  - 7 RS 485 (-)
  - 8 4-20mA OUTPUT
  - 9 4-20mA INPUT
  - RS 485 (RTN)
  - GROUND

MATRIX CODE (4)= 1,  
ACTIVE 4-20mA, NON-ISOLATED

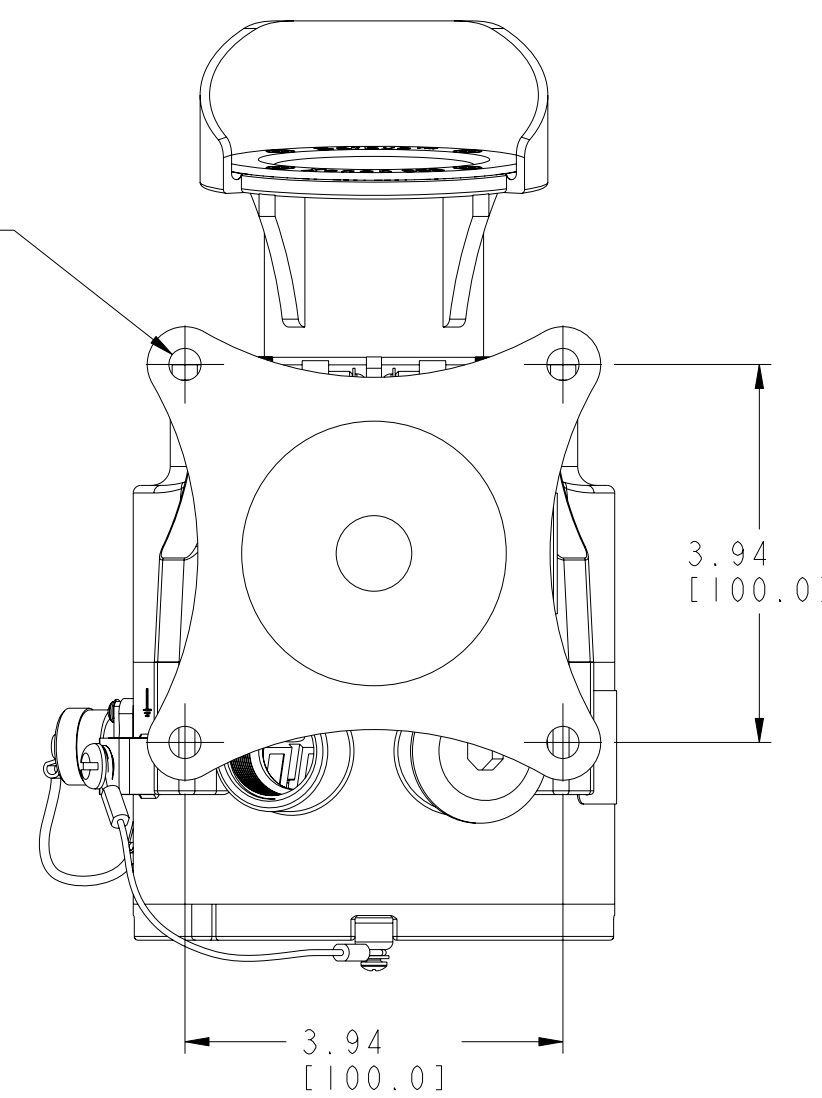
- SEE NOTE 10
- 1 POWER (+) (18-32VDC)
  - 2 RETURN (-)
  - 3 ALARM RELAY (N.O.)
  - 4 ALARM RELAY (N.O.)
  - 5 FAULT RELAY (N.C.)
  - 6 FAULT RELAY (N.C.)
  - 7 4-20mA (OUTPUT)
  - 8 4-20mA (INPUT)
  - 9 NOT USED
  - GROUND

MATRIX CODE (4)= 2,  
PASSIVE 4-20mA, ISOLATED

- SEE NOTE 10
- 1 POWER (+) (18-32VDC)
  - 2 RETURN (-)
  - 3 4-20mA RETURN
  - 4 ALARM RELAY (N.O.)
  - 5 ALARM RELAY (N.O.)
  - 6 FAULT RELAY (N.C.)
  - 7 FAULT RELAY (N.C.)
  - 8 4-20mA (+)
  - 9 NOT USED
  - GROUND

MATRIX CODE (4)= 2,  
ACTIVE 4-20mA, NON-ISOLATED

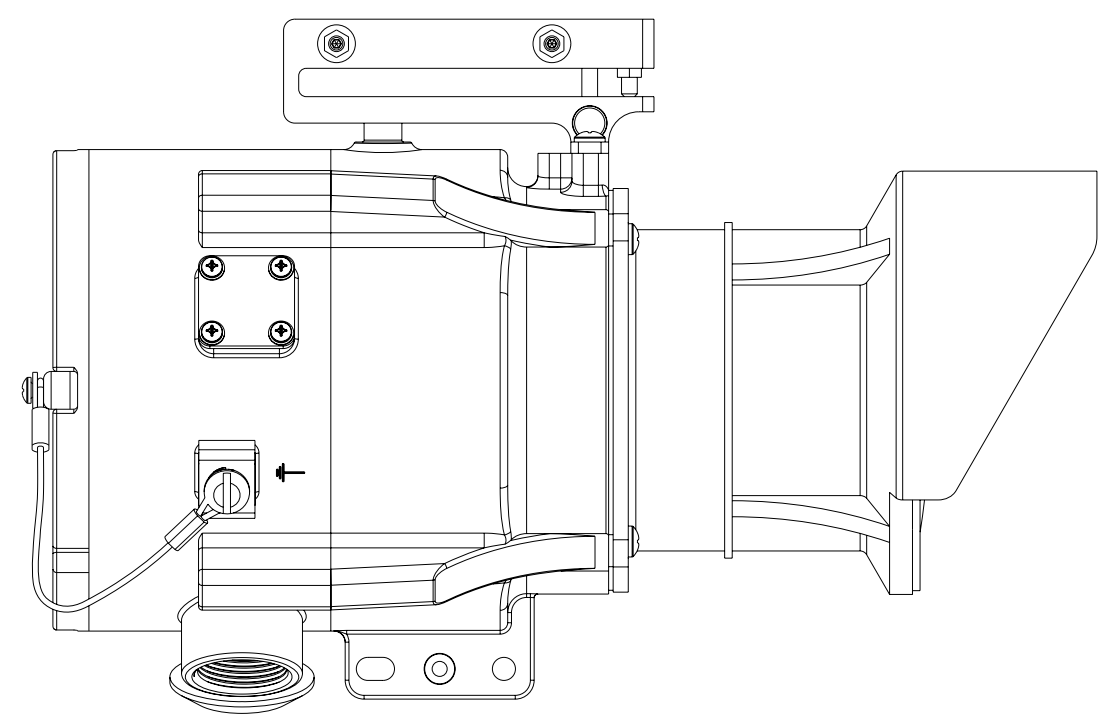
MOUNTING HOLES FOR 5/16-18 (8.00mm) SCREW



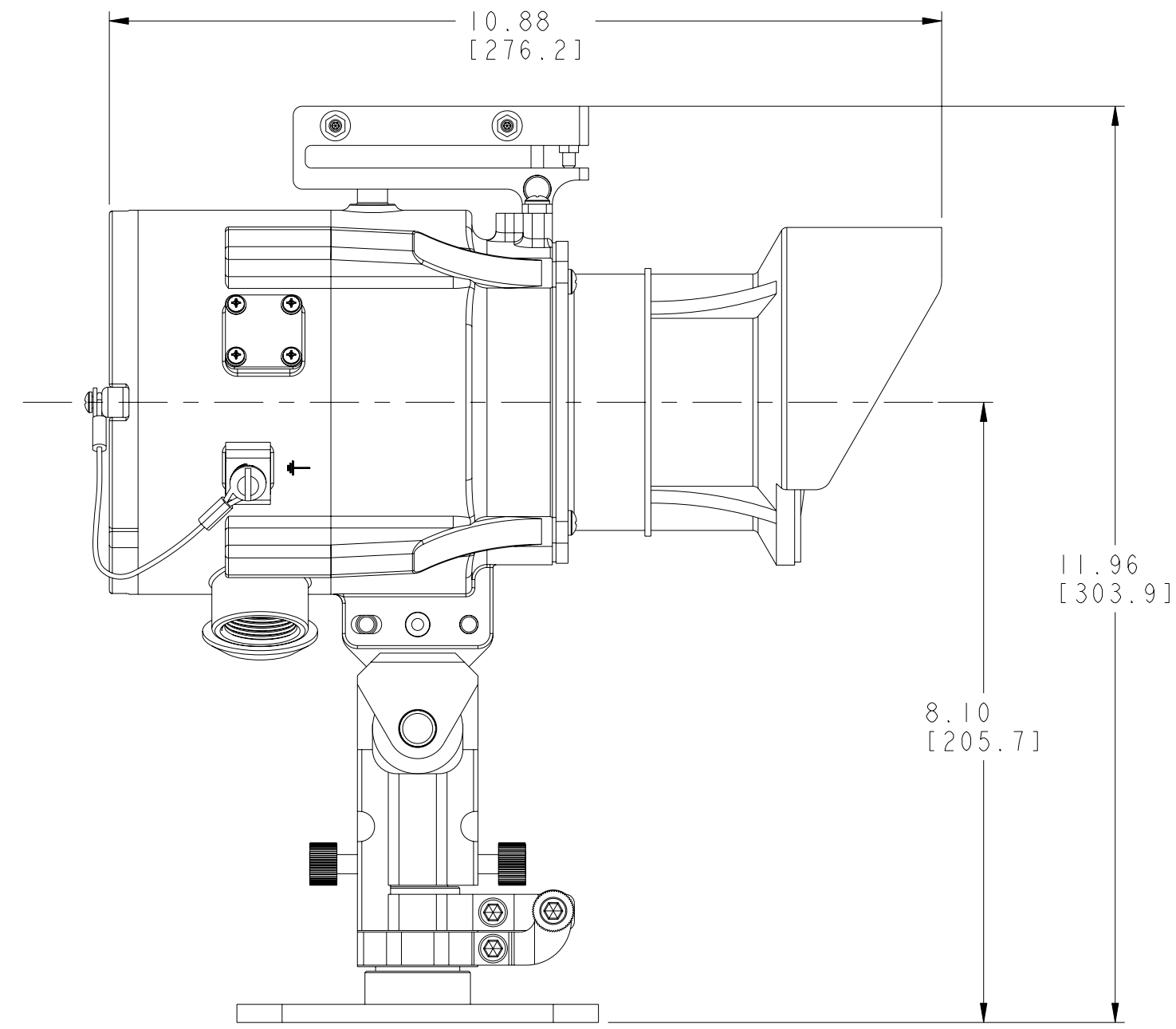
NOTES:  
10. JUMPER WIRE TO BE INSTALLED BY USER.

AUTHORIZED COUNTRY	<b>MSA</b>	MINE SAFETY APPLIANCES CO. PITTSBURGH, PA 15230, USA	THIS DRAWING IS THE PROPERTY OF MSA AND IS MADE AVAILABLE TO YOU IN CONFIDENCE AND SUBJECT TO THE FOLLOWING: NO PERMISSION IS GRANTED TO PUBLISH, USE, REPRODUCE, TRANSMIT OR DISCLOSE THIS DRAWING, OR ANY INFORMATION CONTAINED THEREIN TO OTHERS WITHOUT THE PRIOR WRITTEN CONSENT OF MSA EXCEPT FOR THE MANUFACTURE OF ARTICLES FOR MSA. SCHUTZVERMERK NACH DIN 34 BEACHTEN. MSA AUER GmbH.	DO NOT SCALE DWG.
MSA STANDARD SHOP PRACTICES APPLY		JOB NO. 30006640 PH0722	APPROVAL AGENCY CODE: YES   NIOSH ATTR. DOC.:	
CODE SYMBOLS		DATE 3-30-2007	<b>INSTALLATION OUTLINE, SAFEYE XENON 800</b>	
CRITICAL Δ		DRAWN BY WJE		
MAJOR A Δ (NO MARK)		CHECKED BY R.REITER 6-27-07		
MAJOR B Δ		PROJ. ENGR. R.REITER 6-27-07		
100% INSPECTION Δ		QUALITY ASSURANCE J.DANNHARDT 6-27-07	CADD REF: SK3015-1019	SCALE: 1:000
TOLERANCES UNLESS OTHERWISE SPECIFIED		MANUFACTURING J.BRYER 6-27-07		
FRACTIONAL ± 1/64				
2 PL DEC. ± 0.01				
3 PL DEC. ± 0.005				
ANGULAR ± 1 deg.				
SEE MSA STANDARD SHOP PRACTICES FOR DRILLED HOLE TOLERANCES				
D .				SHEET 2 OF 3

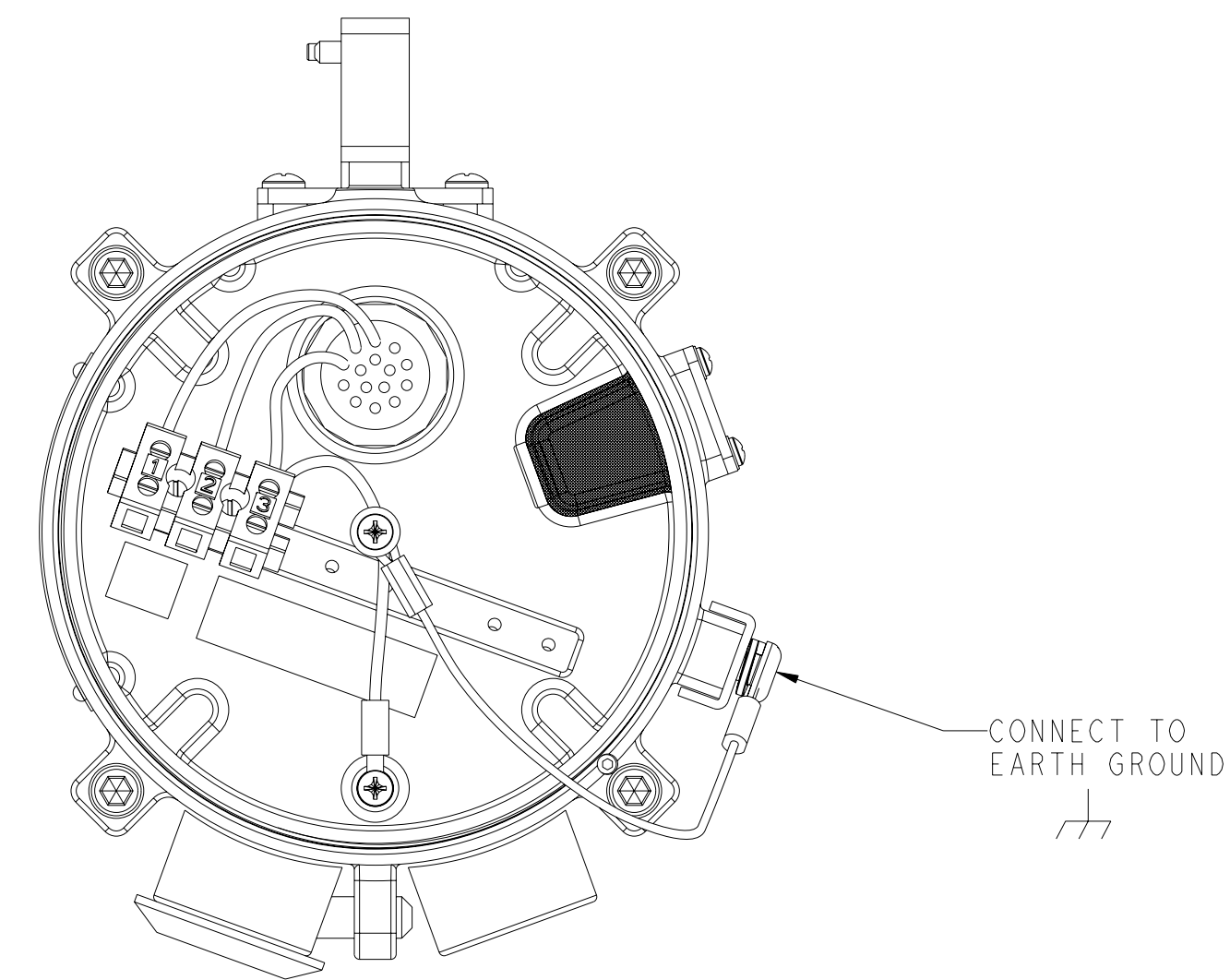
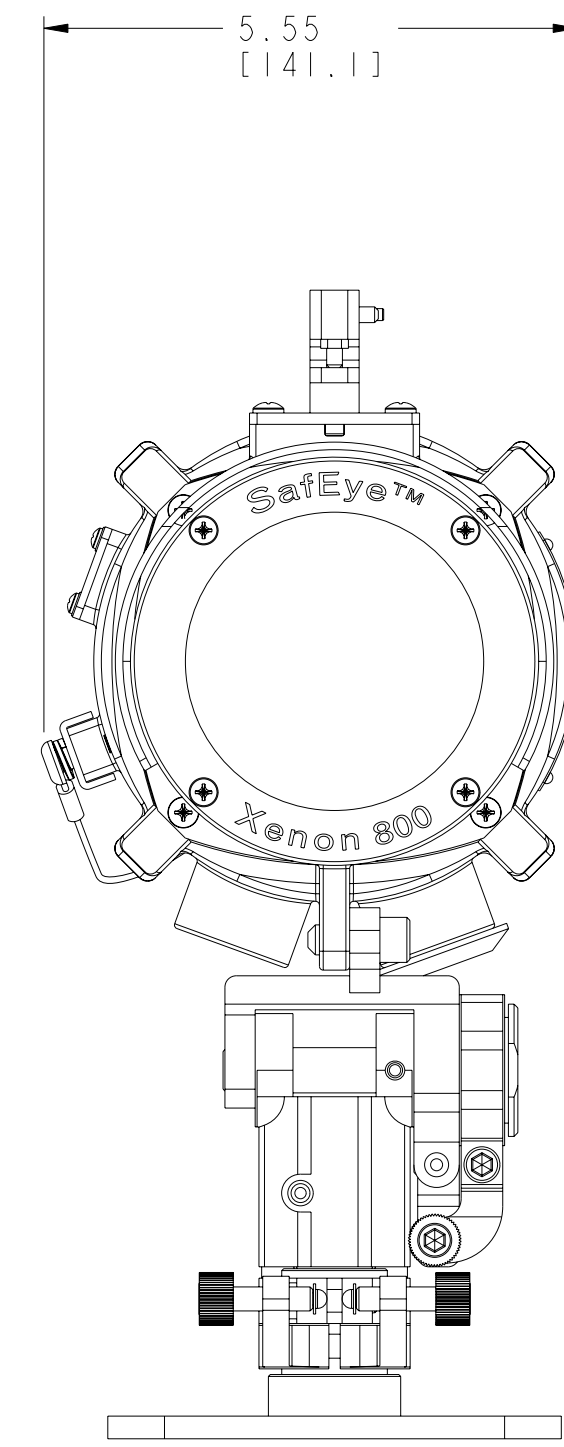
REVISIONS	
<b>REV. 1</b>	
<b>REV. 2</b>	
JUN 29 2007	



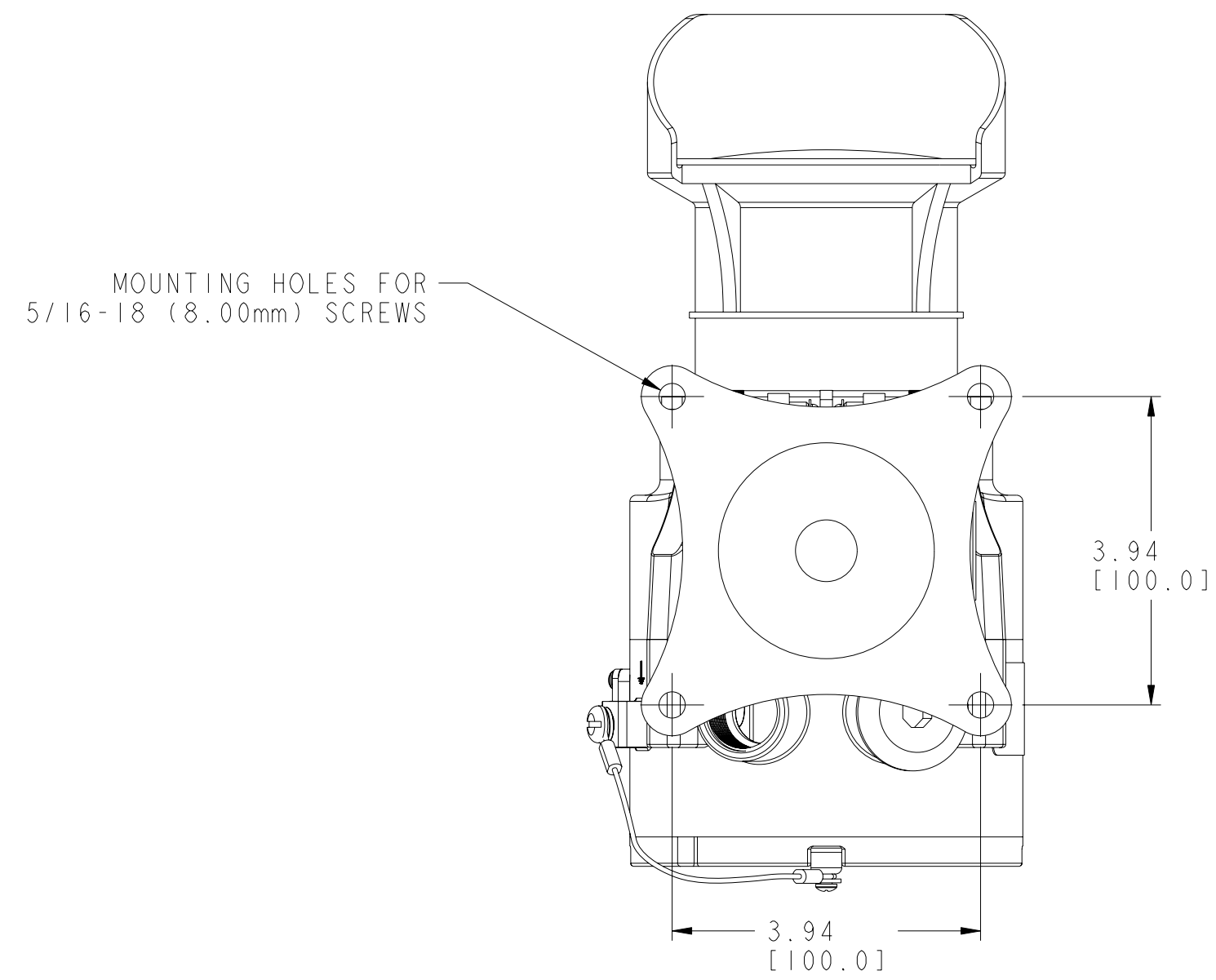
**SAFEYE XENON 800 SOURCE**  
WEIGHT = 14.32 LBS (6.50 KG)



**SAFEYE XENON 800 SOURCE WITH OPTIONAL TILT MOUNT BASE**  
WEIGHT = 18.5 LBS (8.4 KG)



- 1 POWER (+) (18-32VDC)
  - 2 RETURN (-)
  - 3 NOT USED
- ⊕ GROUND



AUTHORIZED COUNTRY	<b>MSA</b>	MINE SAFETY APPLIANCES CO. PITTSBURGH, PA 15230, USA	THIS DRAWING IS THE PROPERTY OF MSA AND IS MADE AVAILABLE TO YOU IN CONFIDENCE AND SUBJECT TO THE FOLLOWING: NO PERMISSION IS GRANTED TO PUBLISH, USE, REPRODUCE, TRANSMIT OR DISCLOSE THIS DRAWING, OR ANY INFORMATION CONTAINED THEREIN TO OTHERS WITHOUT THE PRIOR WRITTEN CONSENT OF MSA EXCEPT FOR THE MANUFACTURE OF ARTICLES FOR MSA. SCHUTZVERMERK NACH DIN 34 BEACHTEN. MSA AUER GmbH.	DO NOT SCALE DWG.
	MSA STANDARD SHOP PRACTICES APPLY	JOB NO. 30006640 PH0722	APPROVAL AGENCY CODE: YES   NIOSH ATTR. DOC.:	
	CODE SYMBOLS	DRAWN BY WJE DATE 3-30-2007	<b>INSTALLATION OUTLINE, SAFEYE XENON 800</b>	
	CRITICAL Δ	CHECKED BY R.REITER 6-27-07		
	MAJOR A Δ (NO MARK)	PROJ. ENGR. R.REITER 6-27-07		
	MAJOR B Δ	QUALITY ASSURANCE J.DANNHARDT 6-27-07		
	100% INSPECTION Δ	MANUFACTURING J.BRYER 6-27-07	CADD REF: SK3015-1019	SCALE: 1:000
	TOLERANCES UNLESS OTHERWISE SPECIFIED			
	FRACTIONAL ± 1/64			
	2 PL DEC. ± 0.01			
	3 PL DEC. ± 0.005			
	ANGULAR ± 1 deg.			
	SEE MSA STANDARD SHOP PRACTICES FOR DRILLED HOLE TOLERANCES			
		<b>D .</b>	<b>SK3015-1019</b>	SHEET 3 OF 3