

# Fixed Mount Antenna

## INSTALLATION INSTRUCTIONS

**For use with MSA ICM TxR Base Station Incident Command Module or MSA Accountability System Base Station Incident Command Module; FCC ID: RPN-10069330.**

### INSTALLING A FIXED MOUNT ANTENNA

This is an alternate antenna to the magnetic base antenna that provides the same features and benefits as the other antenna just in a truck mount version.

#### Minimum Requirements

Maximum thickness of the roof materials: 1/8 inch

#### Tools Required

Drill and center punch  
Drill bit or metal punch (see suggested mounting holes)  
3/4 " open end wrench

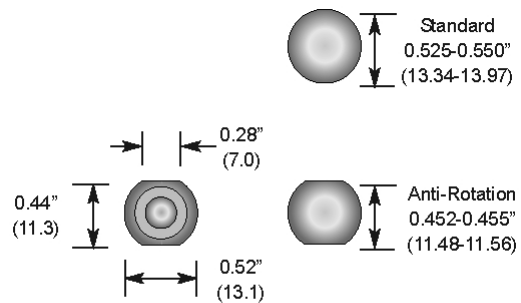
#### Kit Contents

Fixed mount antenna with 14' length cable

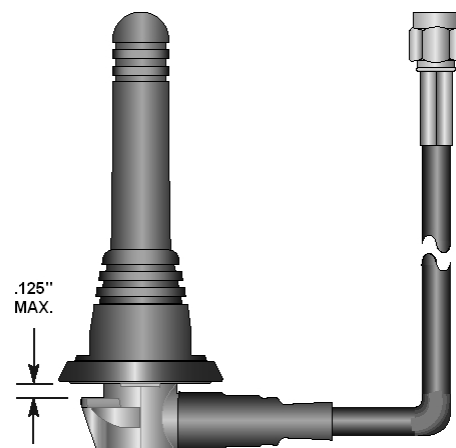
### ⚠ CAUTION

**Before attempting to install the fixed mount antenna, contact the vehicle manufacturer to ensure that this installation is acceptable and meets their requirements**

1. Verify the roof has no greater than a 1/8" thickness.
2. Determine the proper placement of the antenna
  - a. Ensure there is enough room to drill hole.
  - b. The routing of the cable can be no greater than 14ft.
3. Use a center punch to center the hole.
4. Drill or punch the hole.
5. Debur the hole.
6. Sand or scrape away the paint on the inside surface where the ribs will contact the metal next to the mounting hole to ensure contact with the ribs which are now the grounding point for the system.
7. Push threaded end up through hole.
8. Thread the cap on from the top to handtight.
9. Turn the cap an extra 1/2 turn to ensure it is snug and will not back off.
10. Route the base station connector end through the panels or cable trays to get to the basestation.
11. Attach it to the base station antenna connector.



Suggested Mounting Holes



For More Information, call 1-800-MSA-2222 or Visit Our Website at [www.MSAnet.com](http://www.MSAnet.com)



**MINE SAFETY APPLIANCES COMPANY**  
**PITTSBURGH, PENNSYLVANIA, U.S.A. 15230**